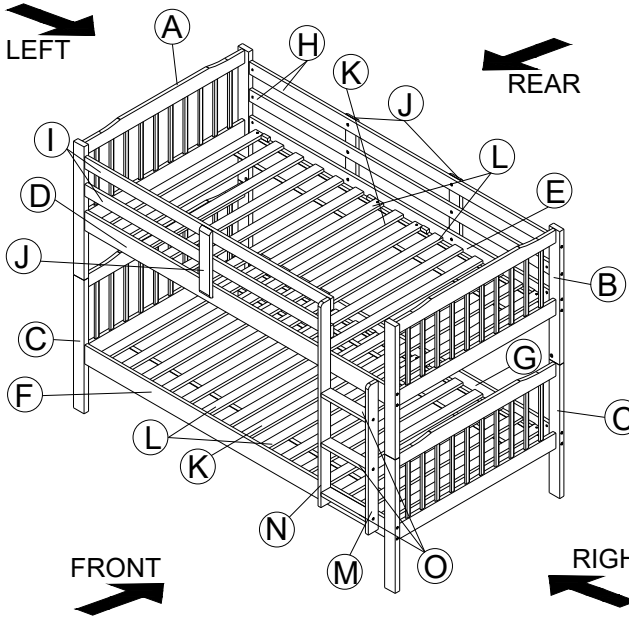


JAMIE (KING SINGLE)

ASSEMBLY INSTRUCTION









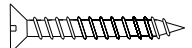
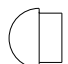


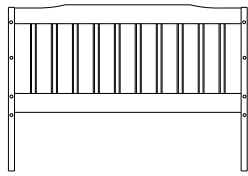

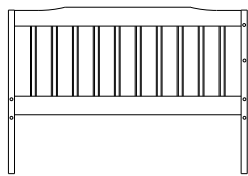

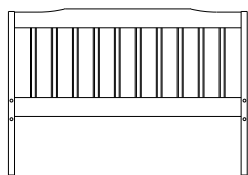
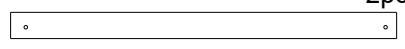
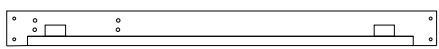
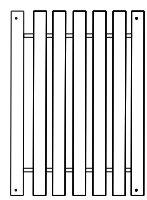
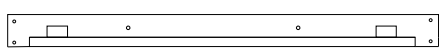
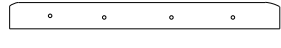
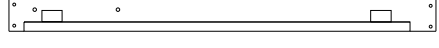
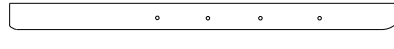
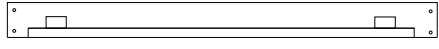

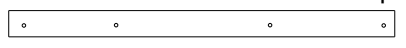
ASSEMBLY TIPS

Remove hardware from box and sort by size. Please check to see that hardware and parts are present prior start of assembly. Please follow attached instructions in the same sequences numbered to assure fast and easy assembly.

WARNING !

- 1 Don't attempt to repair part that are broken or defective.
- 2 Please contact the store immediately. This product is for home use only and not intended for commercial establishments.
- 3 Children under the age of 9 should not use an upper bunk or elevated bed suspended over a play area, furniture
- 4 Children should be discouraged from playing on the bunk bed
- 5 This bunk bed should be checked periodically to ensure that the guardrail, ladder and other components are maintained in the correct position and state of repair and that all connectors are tight.
- 6 The upper bunk must be more than 2 m from any ceiling fan.

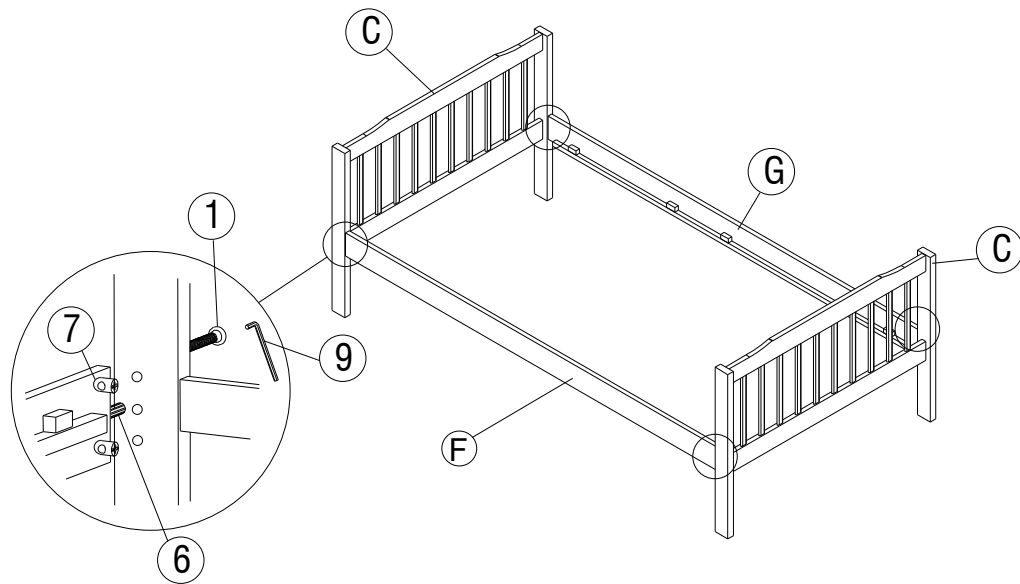
HARDWARE LIST					
1		22pcs	6		32pcs
2		6pcs	7		30pcs
3		17pcs	8		4pcs
4		8pcs	9		1pcs
5		20pcs	10		4pcs

COMPONENT LIST					
A	 HEADBOARD (UPPER)	1pcs	I	 GUARD RAIL UPPER & LOWER (FRONT)	2pcs
B	 FOOTBOARD (UPPER)	1pcs	J	 GUARD RAIL SUPPORT (FRONT & REAR)	3pcs
C	 HEADBOARD & FOOTBOARD (LOWER)	2pcs	K	 MIDDLE SLAT	2pcs
D	 SIDE RAIL (UPPER - FRONT)	1pcs	L	 SLAT	4 sets
E	 SIDE RAIL (UPPER - REAR)	1pcs	M	 LADDER SHORT RAIL	1pcs
F	 SIDE RAIL (LOWER - FRONT)	1pcs	N	 LADDER LONG RAIL	1pcs
G	 SIDE RAIL (LOWER - REAR)	1pcs	O	 LADDER TREAD	3pcs
H	 GUARD RAIL UPPER & LOWER (REAR)	2pcs			



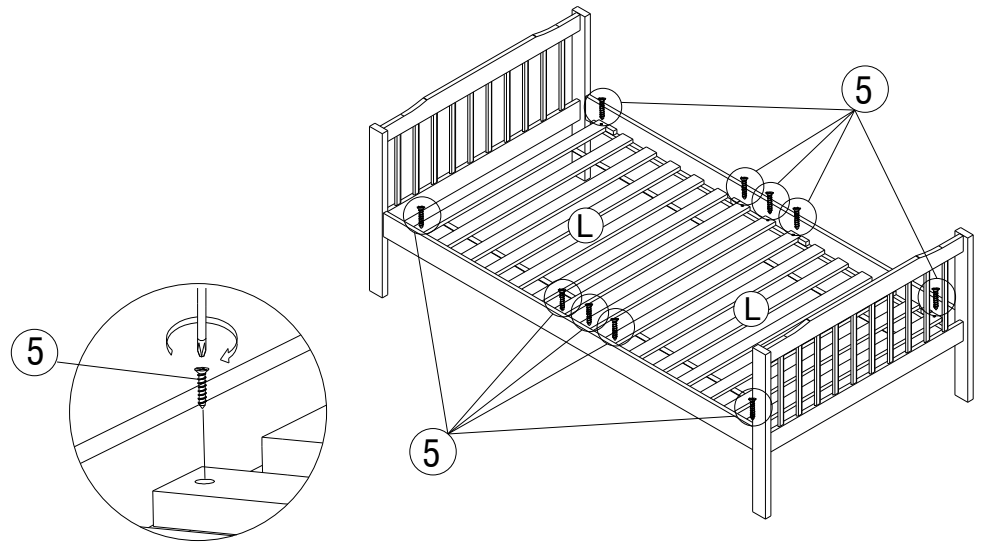
STEP 1

LOWER BED



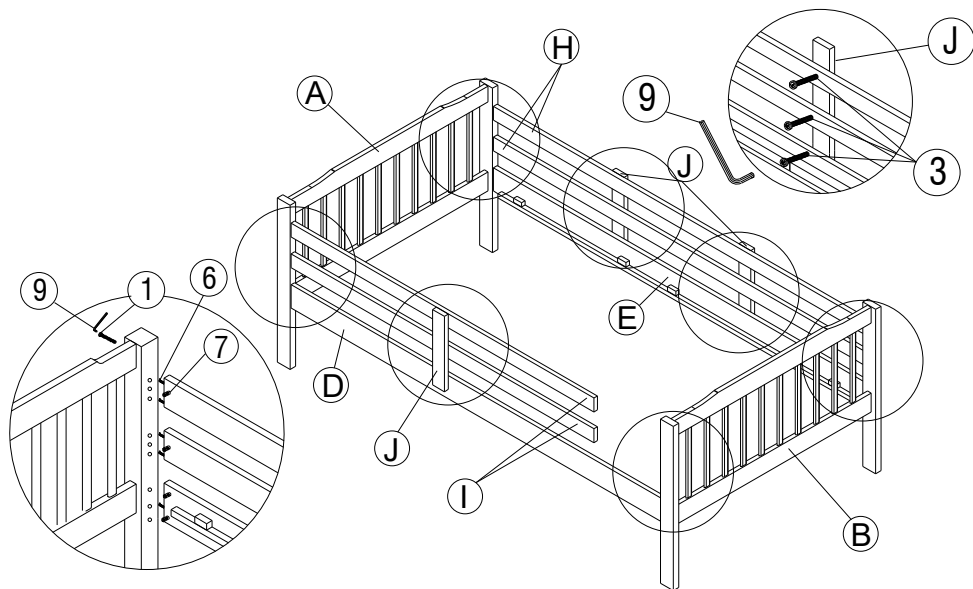
STEP 2

LOWER BED



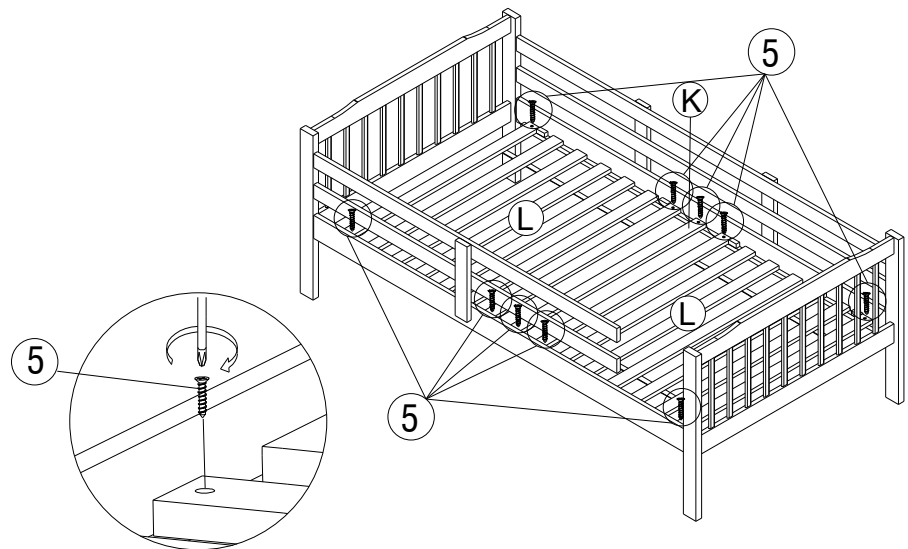
STEP 3

UPPER BED

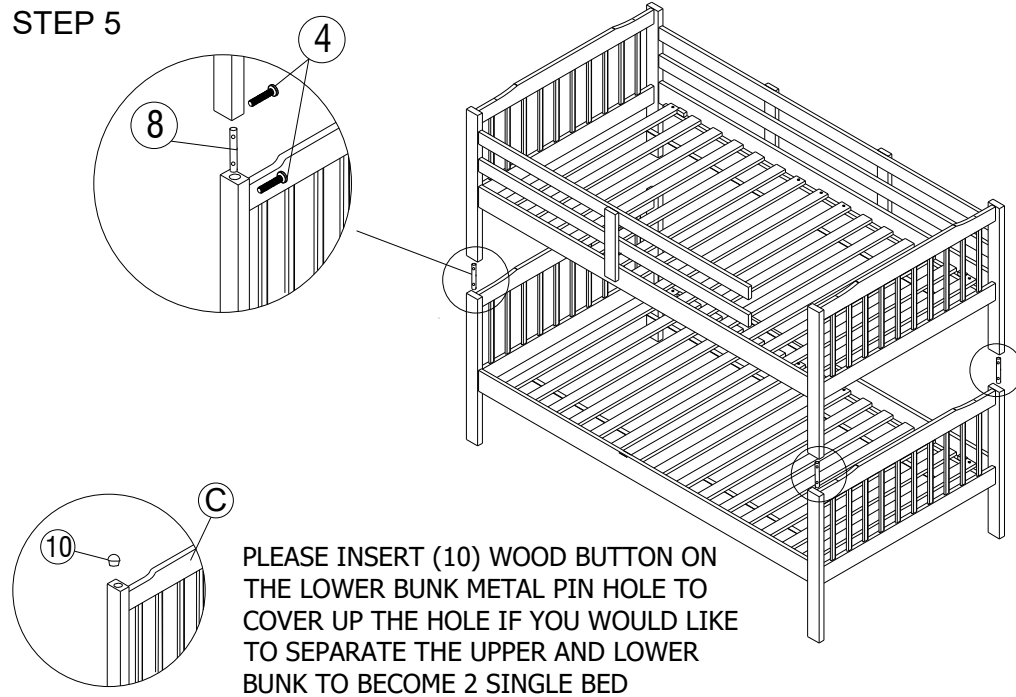


STEP 4

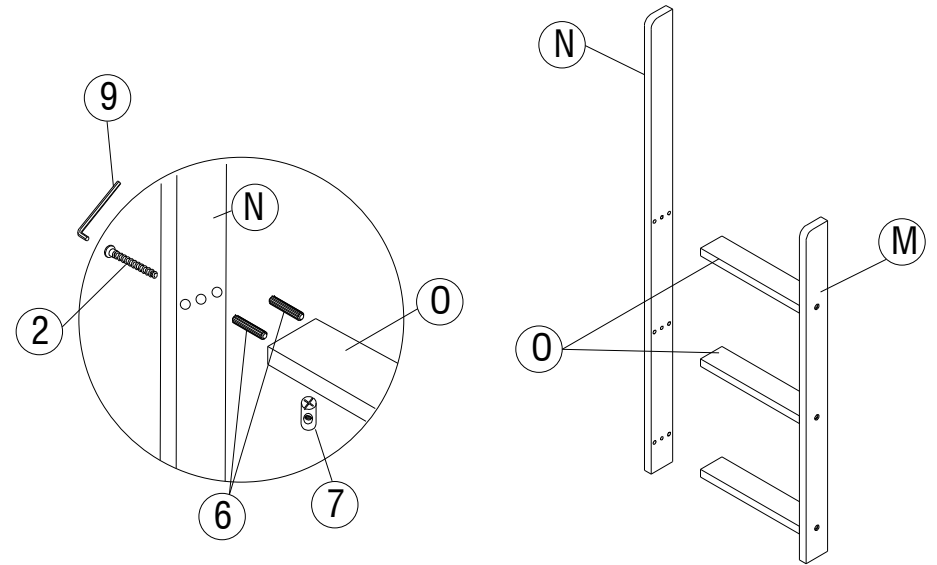
UPPER BED



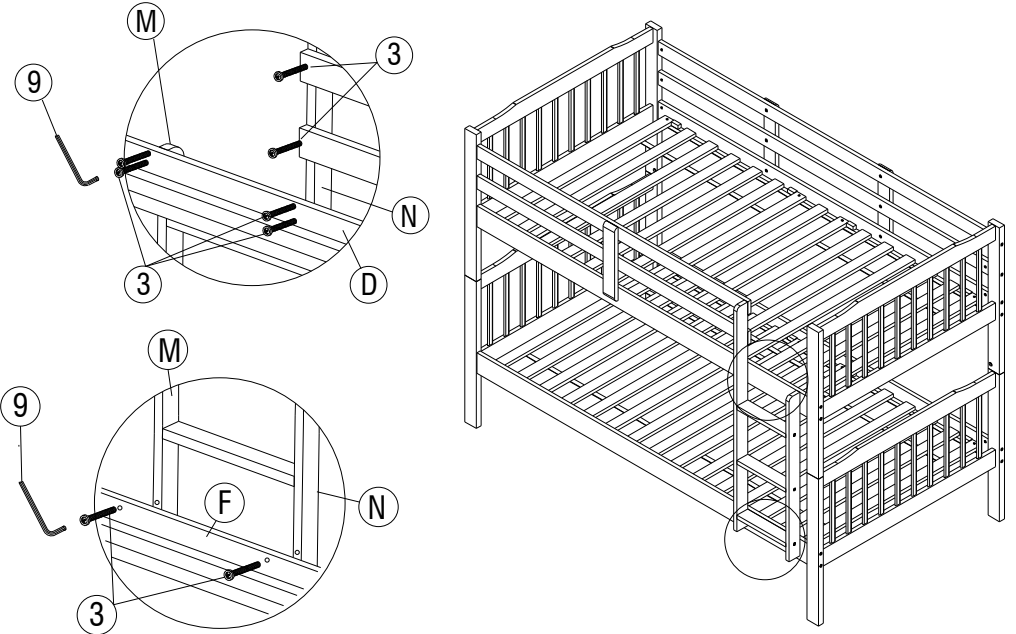
STEP 5



STEP 6



STEP 7



COMPLETE ASSEMBLY

