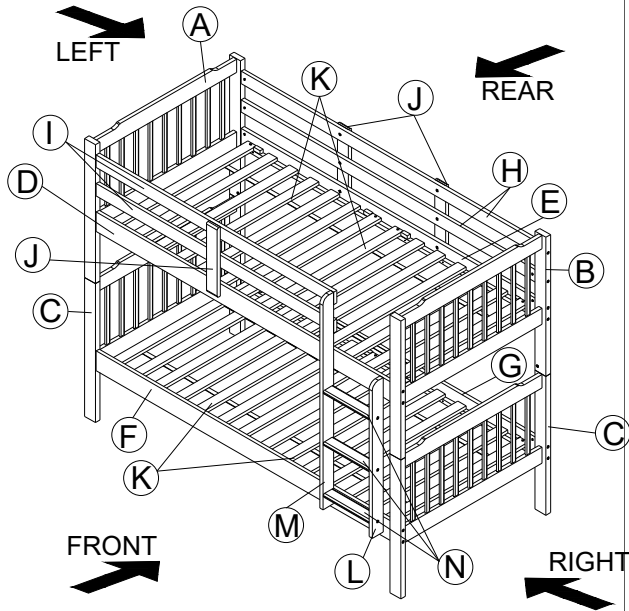


JAMIE (SINGLE)

ASSEMBLY INSTRUCTION








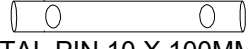


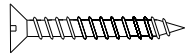
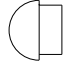
ASSEMBLY TIPS

Remove hardware from box and sort by size.
 Please check to see that hardware and parts are present prior start of assembly.
 Please follow attached instructions in the same sequences numbered to assure fast and easy assembly.

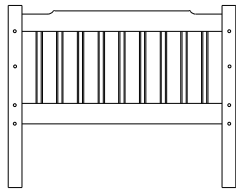

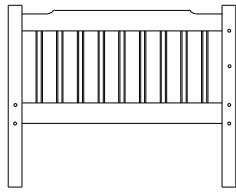
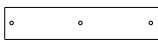
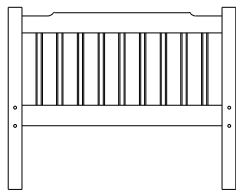
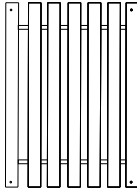
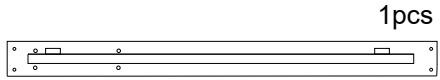

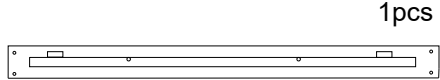
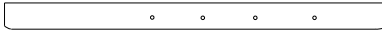
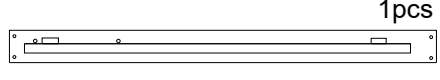
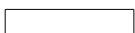
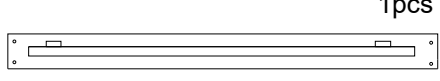
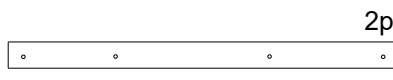
WARNING !

Don't attempt to repair part that are broken or defective.
 Please contact the store immediately.
 This product is for home use only and not intended for commercial establishments.
 3 Children under the age of 9 should not use an upper bunk or elevated bed suspended over a play area, furniture
 4 Children should be discouraged from playing on the bunk bed
 5 This bunk bed should be checked periodically to ensure that the guardrail, ladder and other components are maintained in the correct position and state of repair and that all connectors are tight.
 6 The upper bunk must be more than 2 m from any ceiling fan.

HARDWARE LIST

1		22pcs	6		32pcs
2		6pcs	7		30pcs
3		17pcs	8		4pcs
4		8pcs	9		1pcs
5		16pcs	10		4pcs

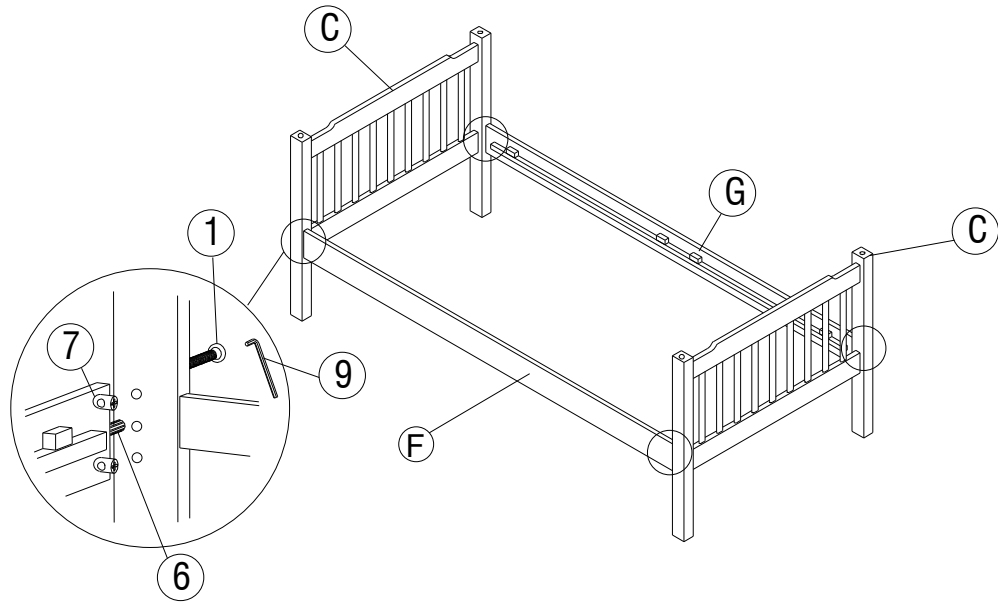
COMPONENT LIST

A		1pcs	I		2pcs
	B		1pcs	J	
C		2pcs	K		4 sets
D		1pcs	L		1pcs
E		1pcs	M		1pcs
F		1pcs	N		3pcs
G		1pcs			
H		2pcs			



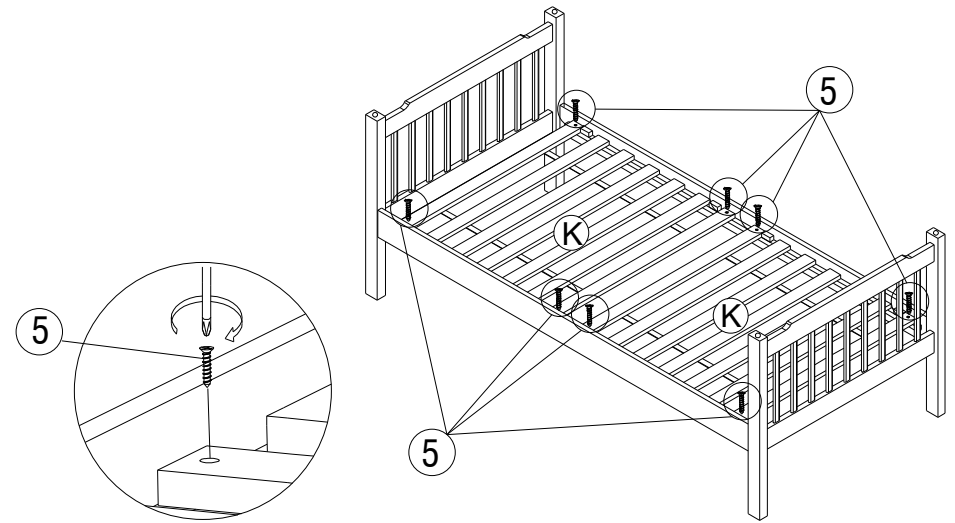
STEP 1

LOWER BED



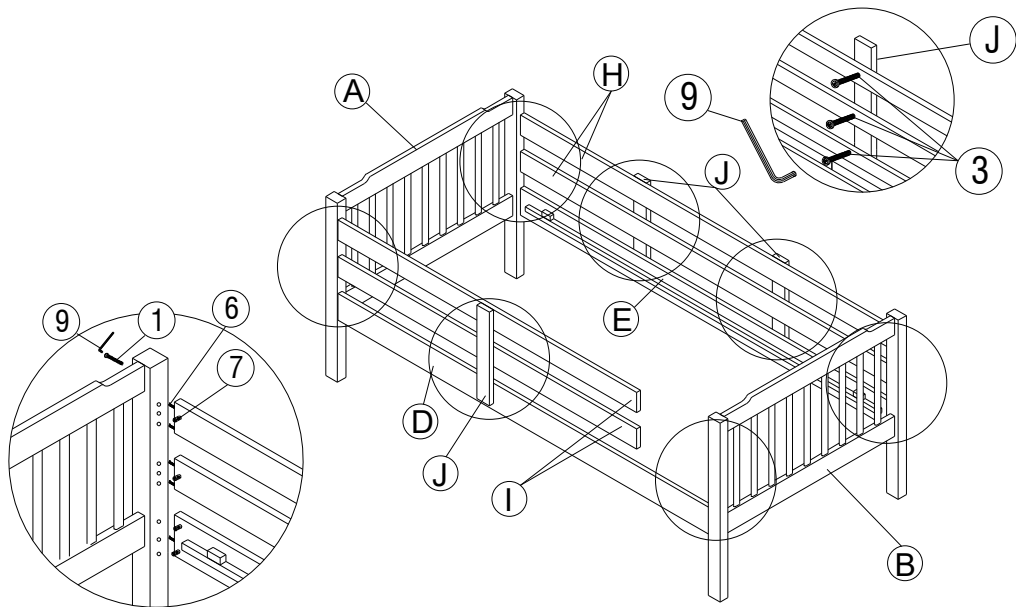
STEP 2

LOWER BED



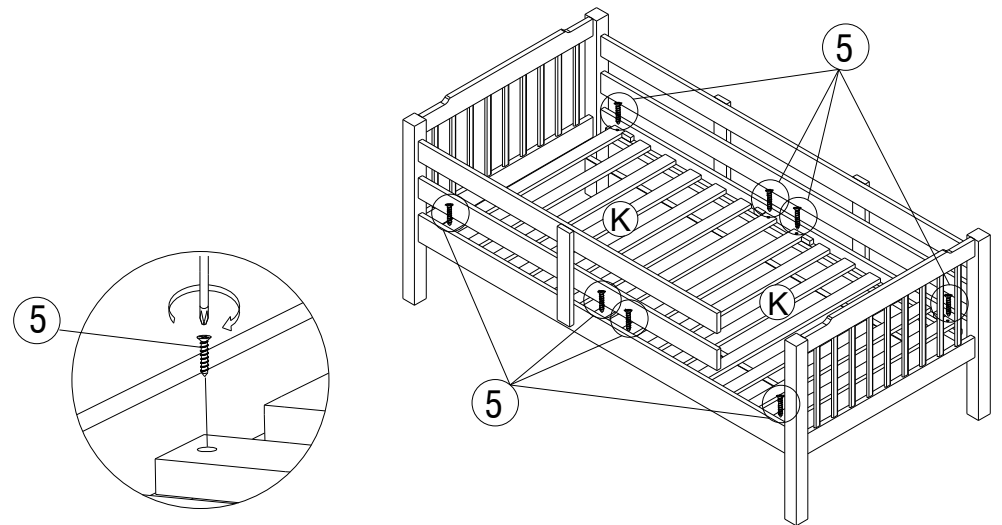
STEP 3

UPPER BED

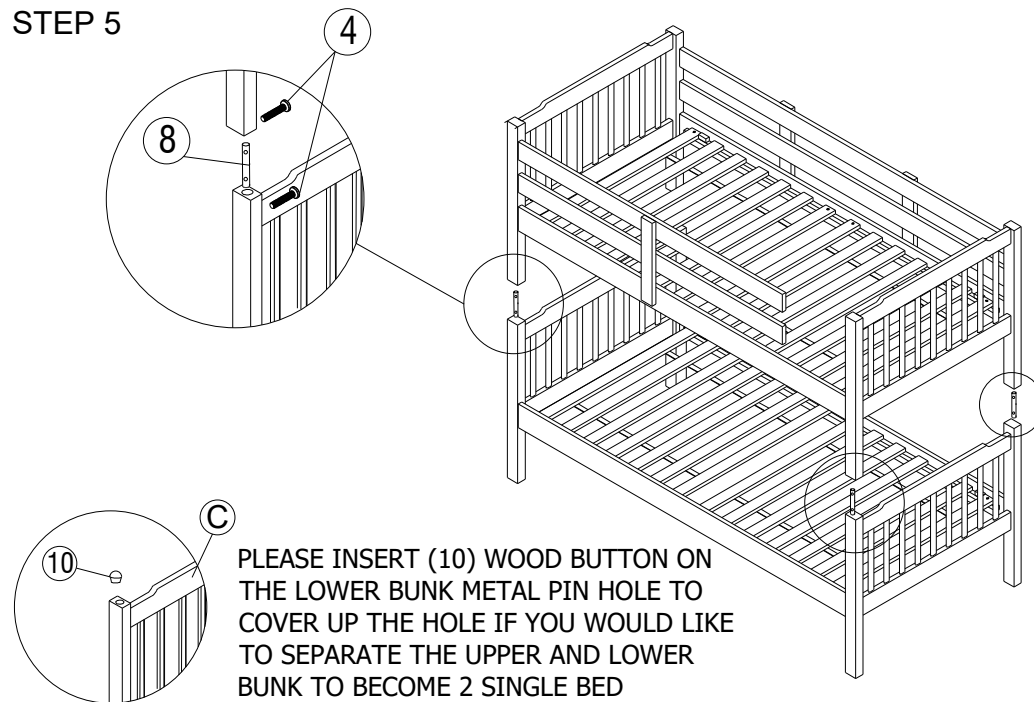


STEP 4

UPPER BED

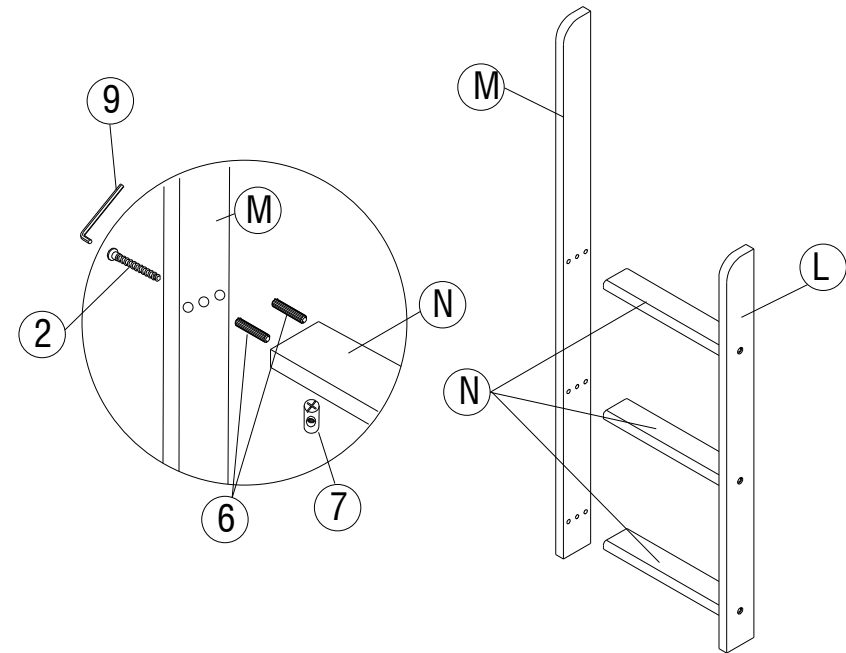


STEP 5

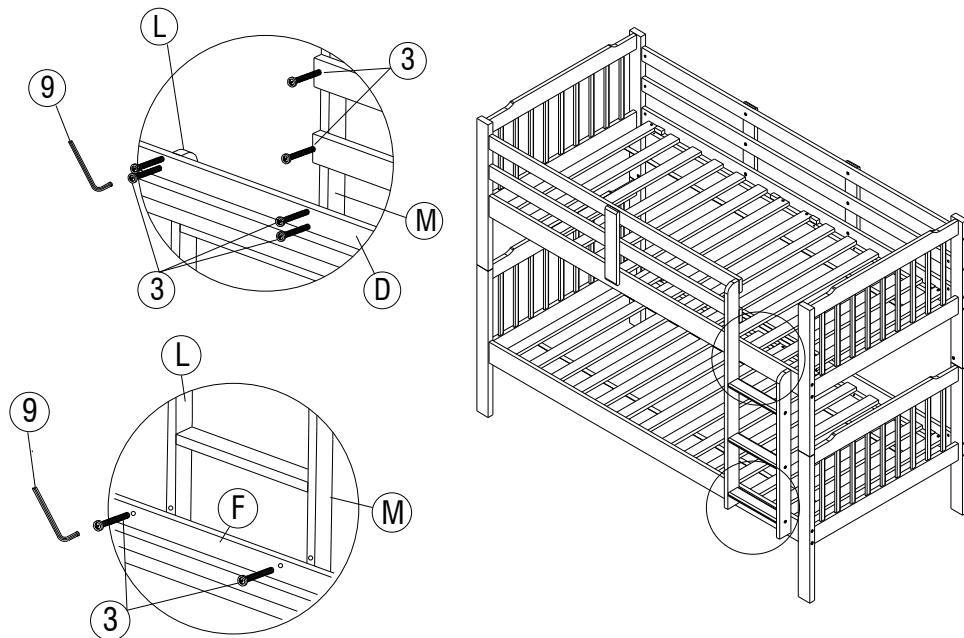


PLEASE INSERT (10) WOOD BUTTON ON THE LOWER BUNK METAL PIN HOLE TO COVER UP THE HOLE IF YOU WOULD LIKE TO SEPARATE THE UPPER AND LOWER BUNK TO BECOME 2 SINGLE BED

STEP 6



STEP 7



COMPLETE ASSEMBLY

