

**ASSEMBLY TIPS**

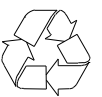
Remove hardware from box and sort by size. Please check to see that hardware and parts are present prior start of assembly. Please follow attached instructions in the same sequences numbered to assure fast and easy assembly.

**WARNING !**

- 1 Don't attempt to repair part that are broken or defective.
- 2 Please contact the store immediately. This product is for home use only and not intended for commercial establishments.
- 3 Children under the age of 9 should not use an upper bunk or elevated bed suspended over a play area, furniture
- 4 Children should be discouraged from playing on the bunk bed
- 5 This bunk bed should be checked periodically to ensure that the guardrail, ladder and other components are maintained in the correct position and state of repair and that all connectors are tight.
- 6 The upper bunk must be more than 2 m from any ceiling fan.

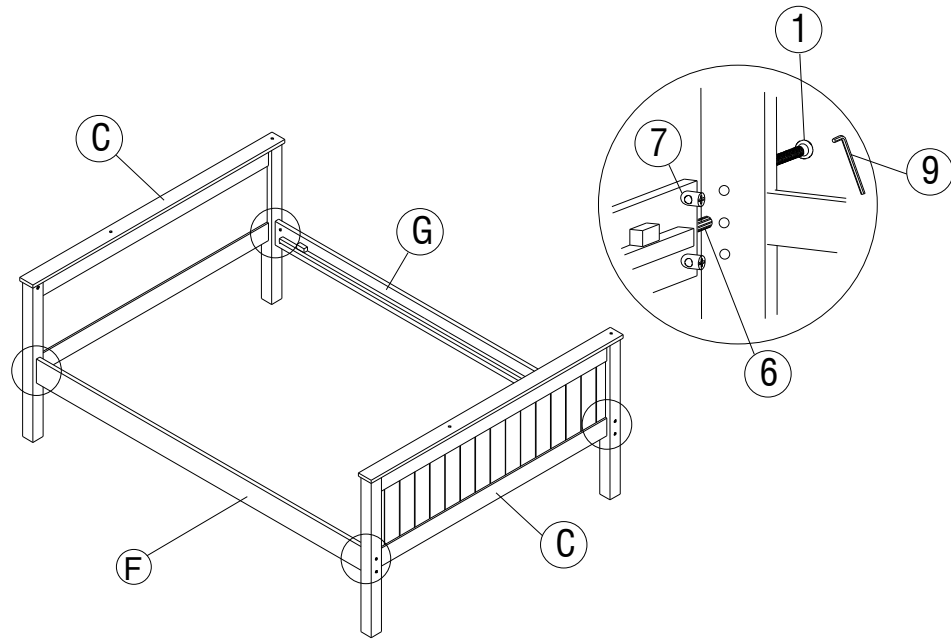
COMPONENT LIST	
<b>A</b> HEADBOARD (UPPER) 1pcs	<b>J</b> GUARD RAIL SUPPORT (FRONT & REAR) 3pcs
<b>B</b> FOOTBOARD (UPPER) 1pcs	<b>K</b> GUARD RAIL SUPPORT (FRONT & 4 HOLE) 1pcs
<b>C</b> HEADBOARD & FOOTBOARD (LOWER) 2pcs	<b>L</b> CENTER SUPPORT RAIL 1pcs
<b>D</b> SIDE RAIL (UPPER - FRONT) 1pcs	<b>M</b> SLAT (UPPER) 1 SET = 7PCS 2 sets
<b>E</b> SIDE RAIL (UPPER - REAR) 1pcs	<b>N</b> SLAT (LOWER) 1 SET = 7PCS 2 sets
<b>F</b> SIDE RAIL (LOWER - FRONT) 1pcs	<b>O</b> LADDER RAIL (L) 1pcs
<b>G</b> SIDE RAIL (LOWER - REAR) 1pcs	<b>P</b> LADDER RAIL (R) 1pcs
<b>H</b> GUARD RAIL UPPER & LOWER (REAR) 2pcs	<b>Q</b> LADDER TREAD 3pcs
<b>I</b> GUARD RAIL UPPER & LOWER (FRONT) 2pcs	<b>R</b> SUPPORT LEG 2pcs
	<b>S</b> TRIANGLE PANEL 1pcs

HARDWARE LIST	
<b>1</b> JCBC M6 X 90MM 22pcs	<b>7</b> BARREL NUT M6 X 13MM 30pcs
<b>2</b> JCBC M6 X 50MM 10pcs	<b>8</b> METAL PIN 10 X 100MM 4pcs
<b>3</b> JCBC M6 X 30MM 25pcs	<b>9</b> ALLEN KEY M4 1pcs
<b>4</b> JCBC M6 X 15MM 2pcs	<b>10</b> ADJUSTER 2pcs
<b>5</b> WOODEN SCREW M4 X 25MM 22pcs	<b>11</b> WOOD BUTTON 4pcs
<b>6</b> WOOD DOWEL 8 X 35MM 34pcs	



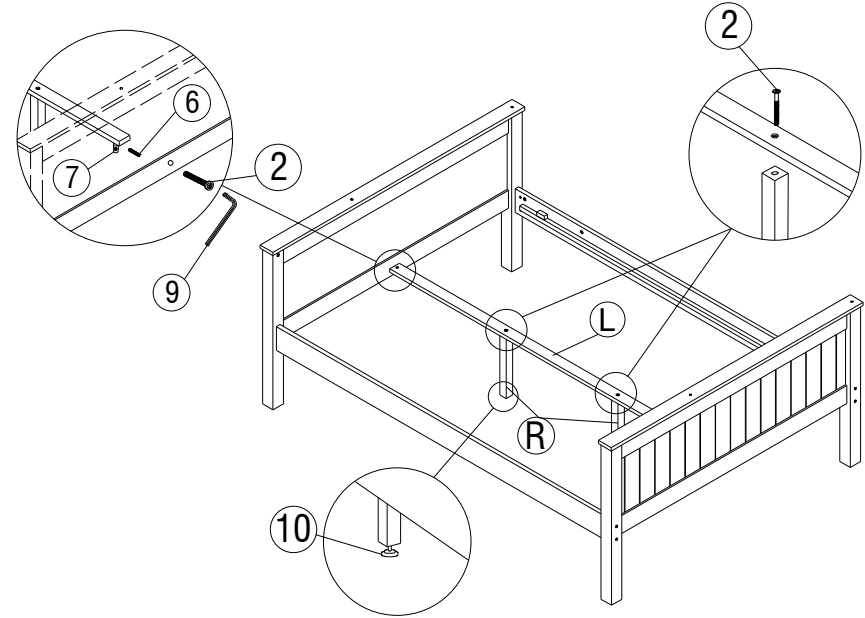
STEP 1

LOWER BED



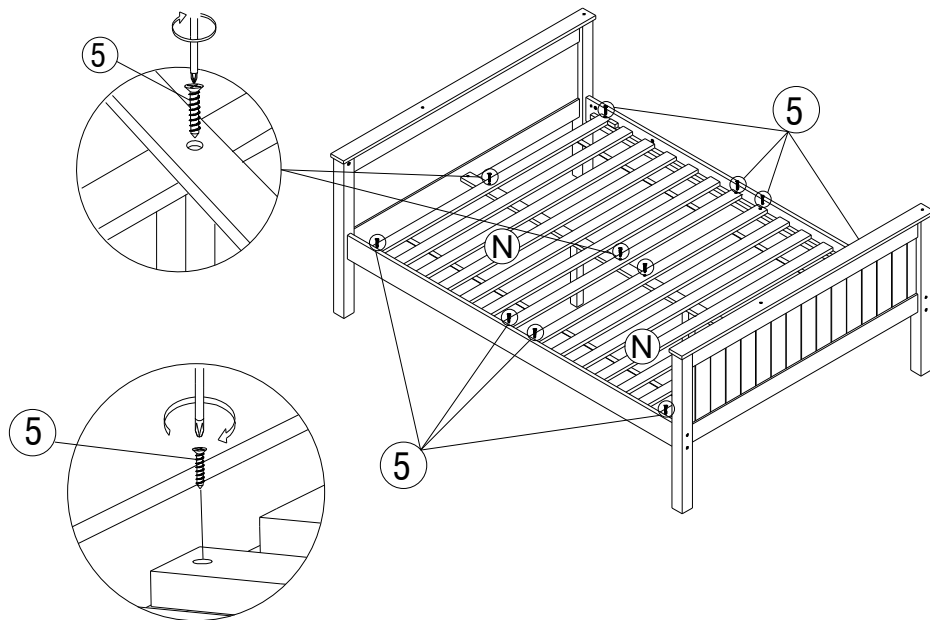
STEP 2

LOWER BED



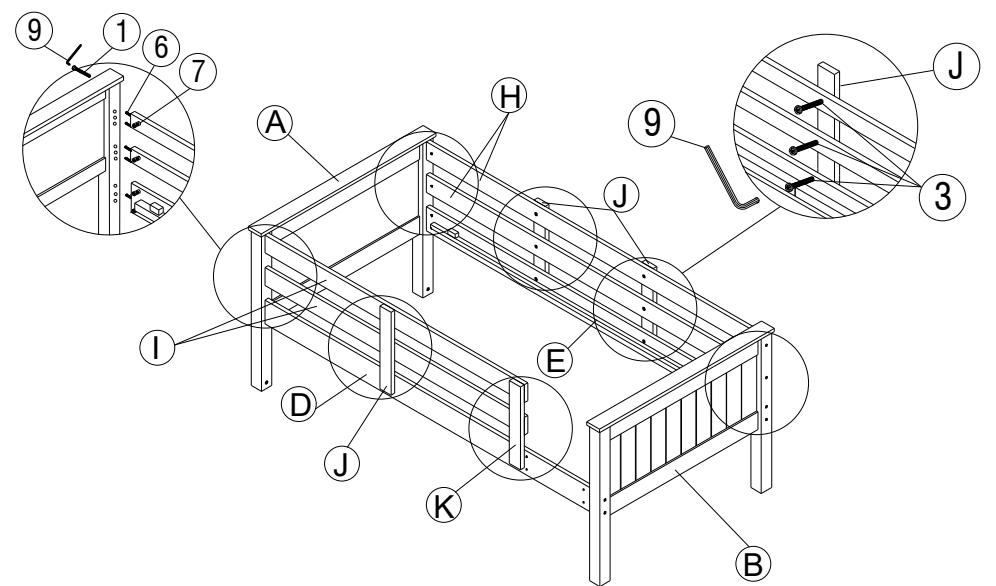
STEP 3

LOWER BED



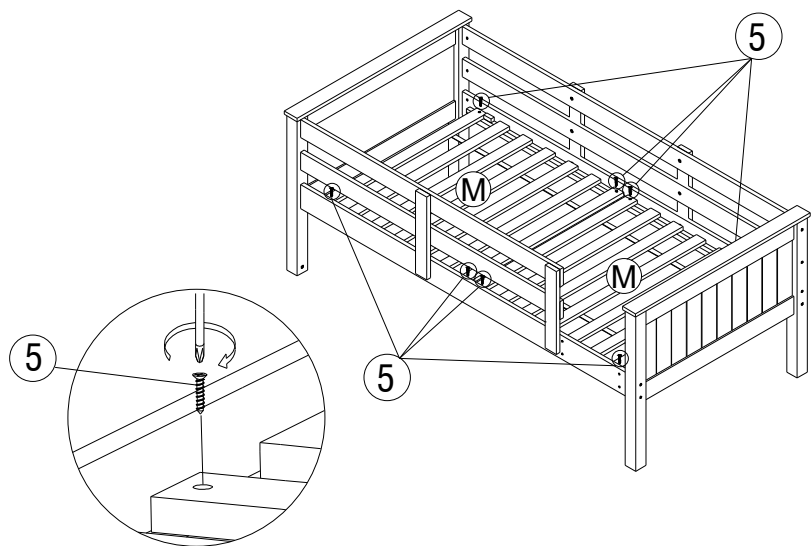
STEP 4

UPPER BED

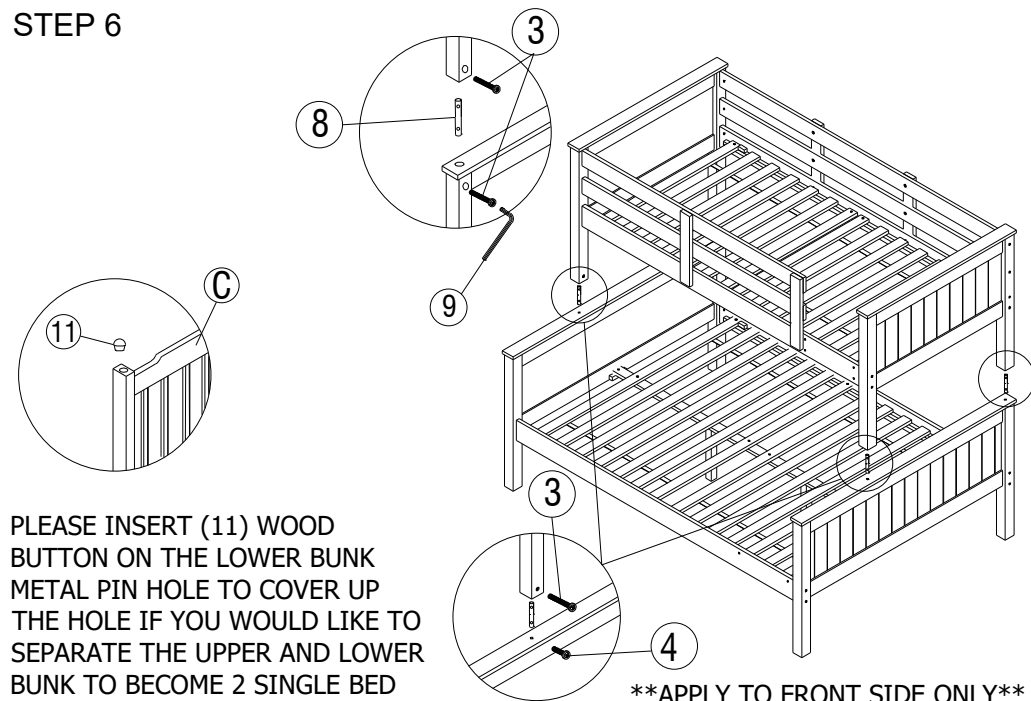


STEP 5

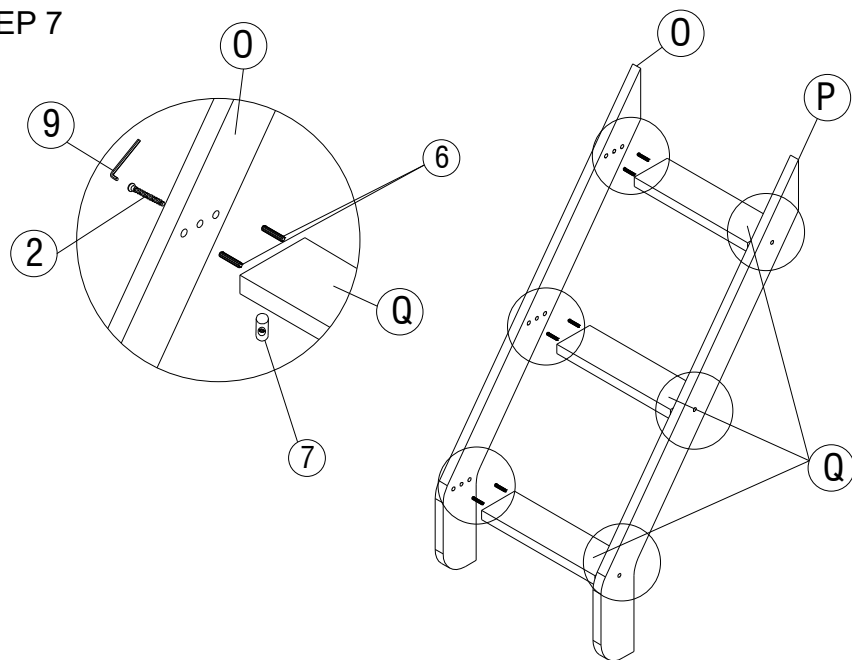
UPPER BED



STEP 6



STEP 7



STEP 8

