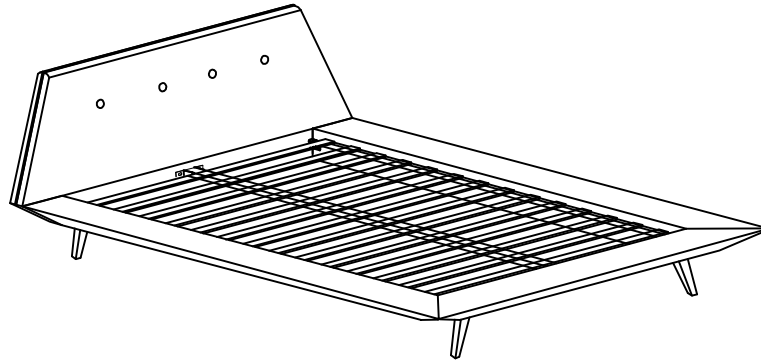
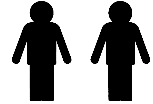


# ASSEMBLY INSTRUCTIONS

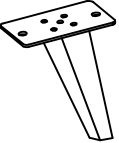

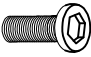

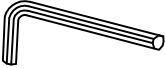
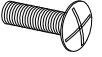
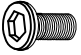
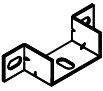
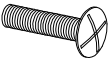
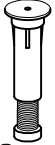

## QB-8730-A



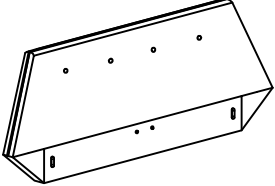
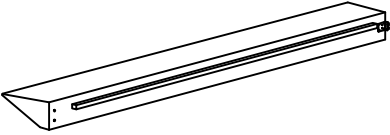
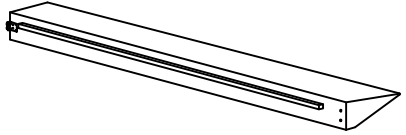
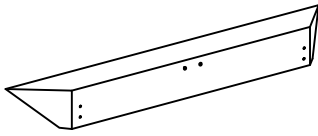


Tools Needed  
2 person build



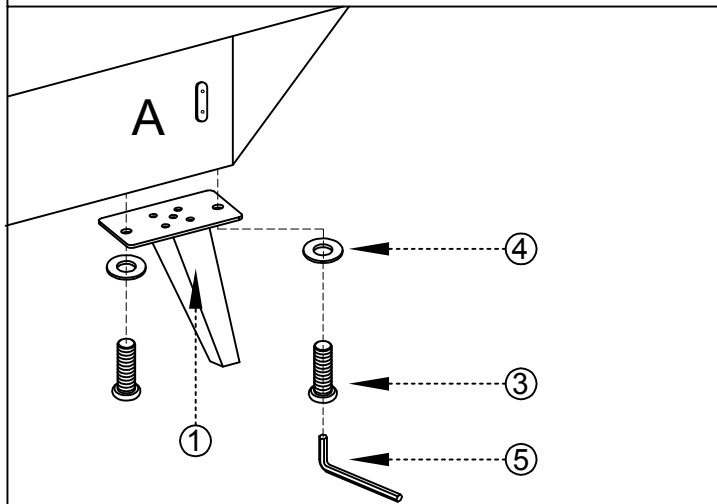
### BED FITTINGS

					
<b>Headboard Feet</b>	<b>Footboard Feet</b>	<b>Gold Bolts (m8*30)</b>	<b>Washers (m8)</b>	<b>Allen key (m5)</b>	<b>Bolts (m8*20)</b>
① X 2	② X 2	③ X 4	④ X 20	⑤ X 1	⑥ X 14
					
<b>Gold Bolts (m8*18)</b>	<b>Brackets</b>	<b>Bolts (m8*40)</b>	<b>Plastic Support legs</b>	<b>Screws</b>	
⑦ X 4	⑧ X 2	⑨ X 2	⑩ X 2	⑪ X 39	

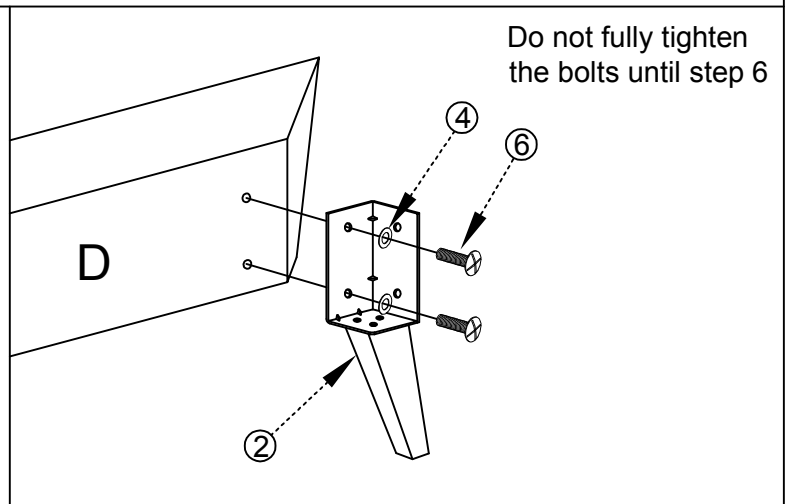
### PART LIST

		
<b>Headboard</b>	<b>Left Side Rail</b>	<b>Right Side Rail</b>
A X 1	B X 1	C X 1
		
<b>Footboard</b>	<b>Centre Supporter</b>	<b>Slats</b>
D X 1	E X 1	F X 1

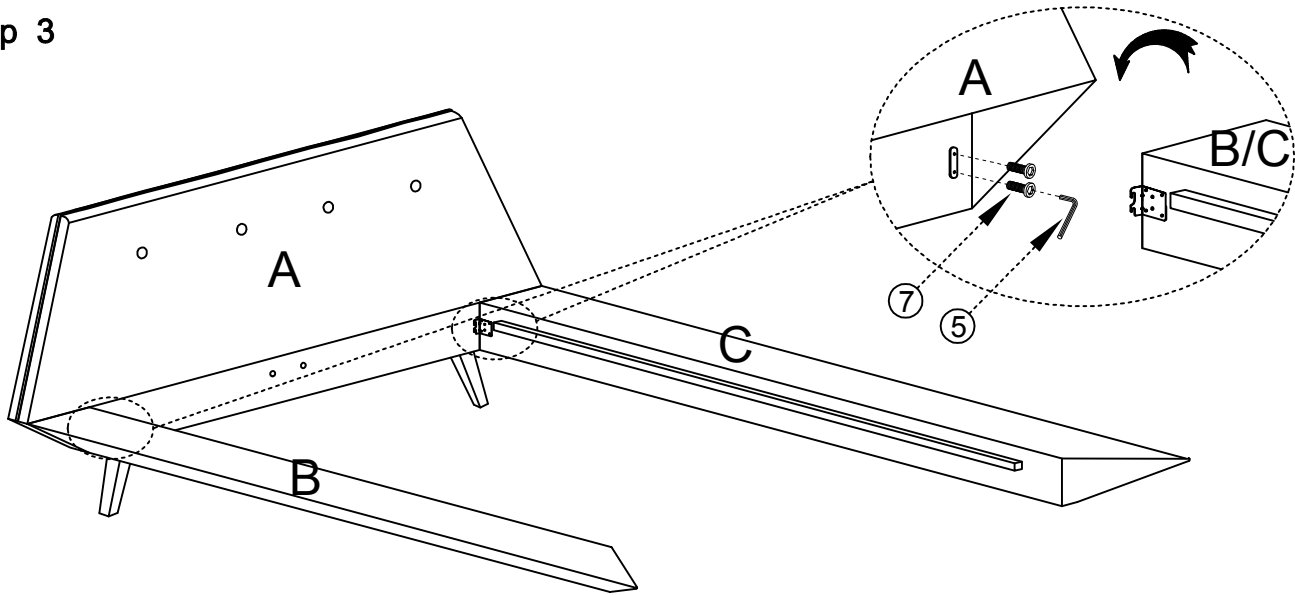
### Step 1



### Step 2

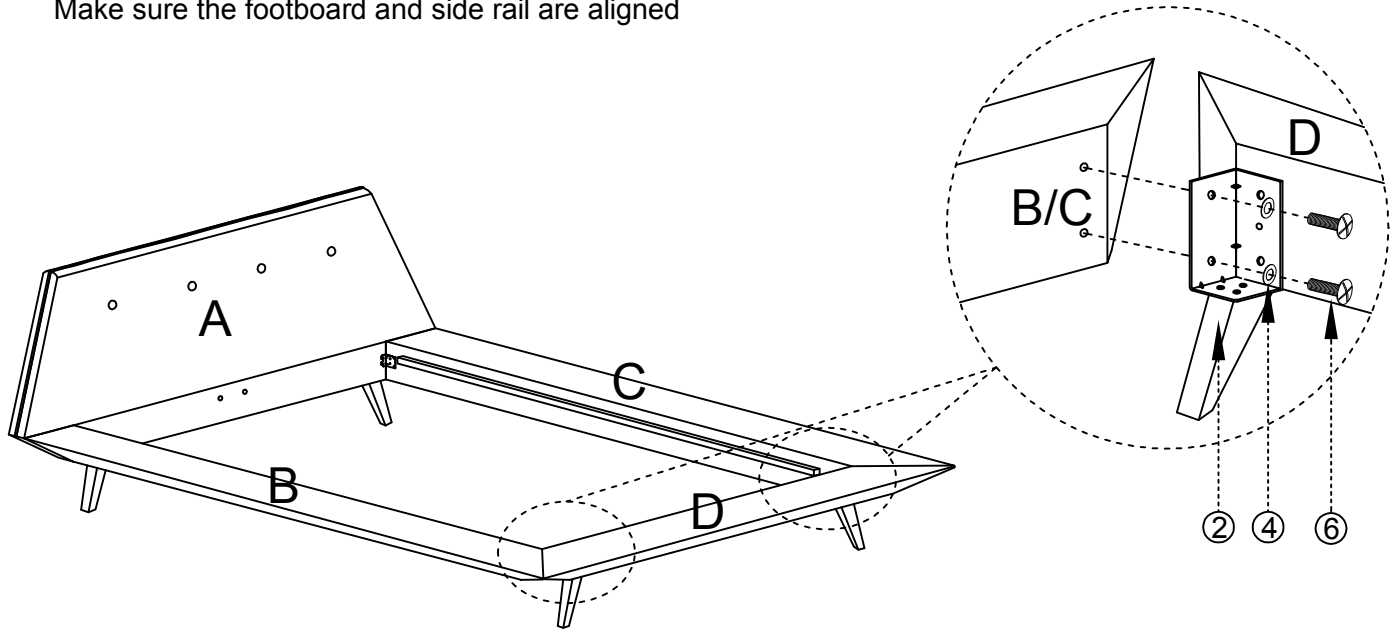


### Step 3

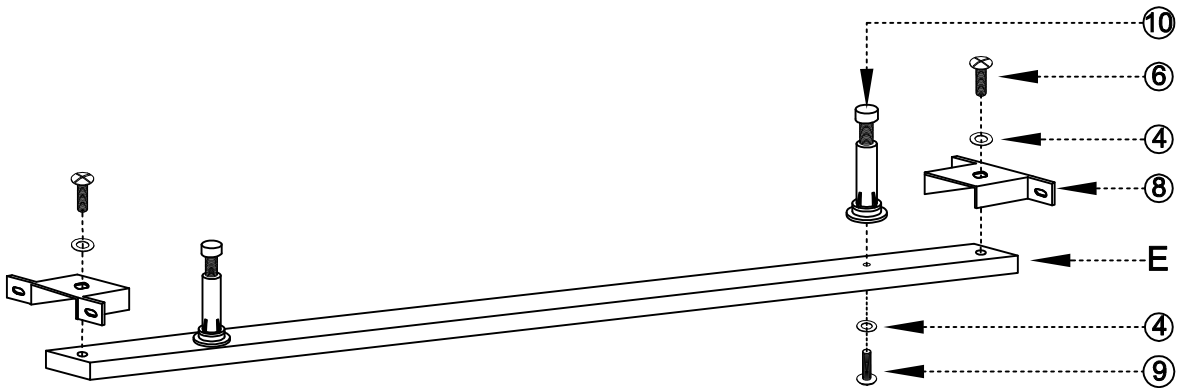


### Step 4

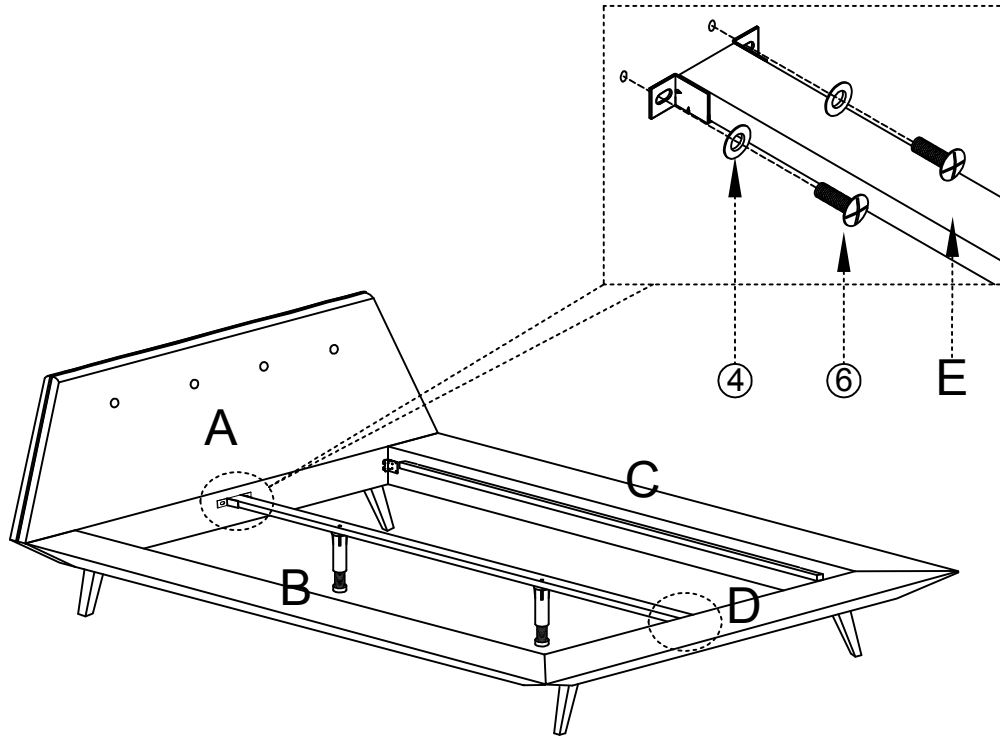
Make sure the footboard and side rail are aligned



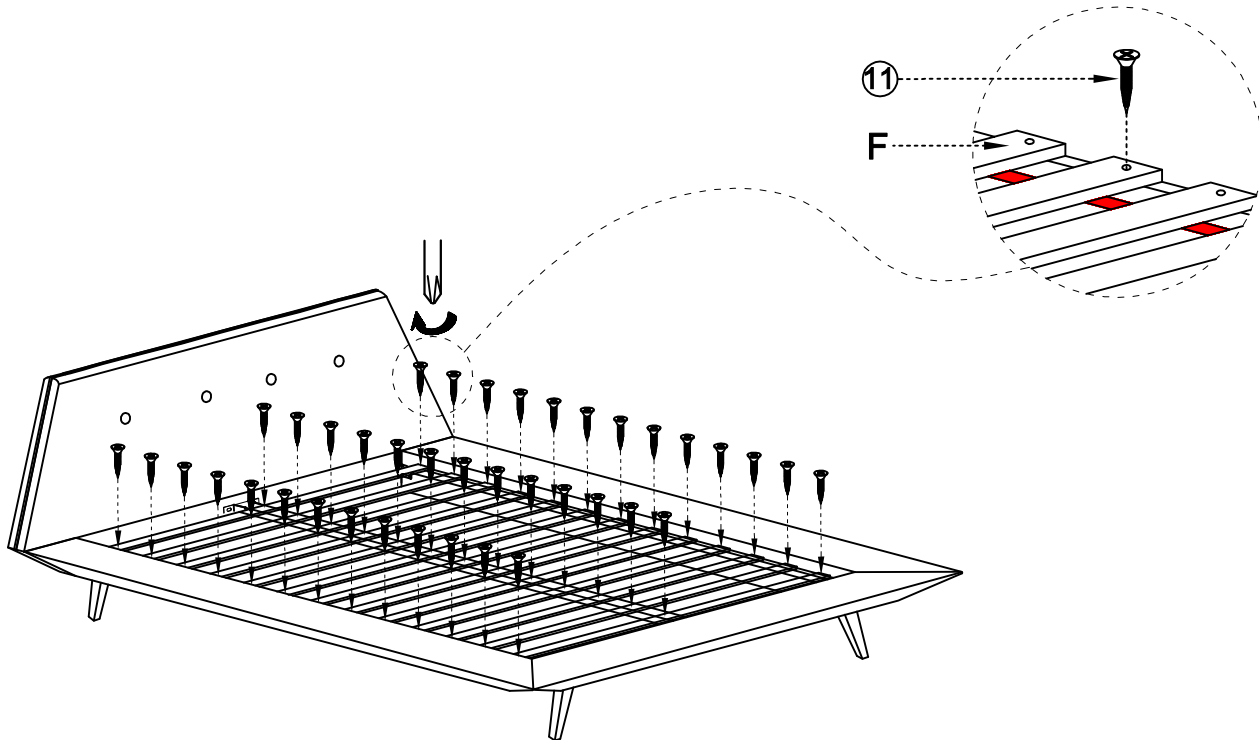
### Step 5



## Step 6



## Step 7



REMARK : ONCE BED IS ASSEMBLED, **DO NOT** SIT, STAND OR APPLY WEIGHT DIRECTLY TO SLATS UNLESS MATTRESS IS IN PLACE.