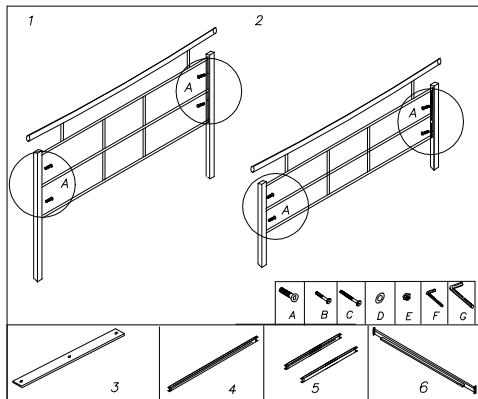


Model: KINGSWAY Single/King Single Bed



Parts List For Bed

Carton 1 (Head & Foot board)

1) Headboard 2) Footboard

Hardware bag(see diagram below for details) & sprung bed slat

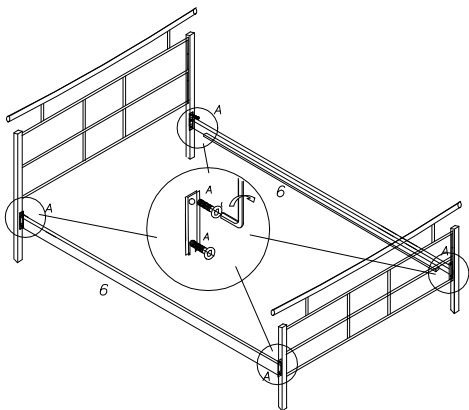
Part no	Description	Qty	Part no	Description	Qty
3	Wooden slat	11/13*	D	Flat washer	15
			E	M6 nut	15
A	M8 x 20mm	16	F	M6 Allen key	1
B	M6X40mm	9	G	M8 Allen key	1
C	M6 x 50mm	6			

\*single/king single

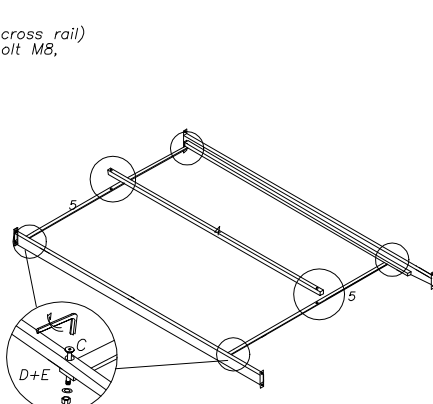
Carton 2(Siderails)

Part no	Description	Qty	Part no	Description	Qty
4	Centre rail	1	6	Side rail	2
5	Cross rail	2			

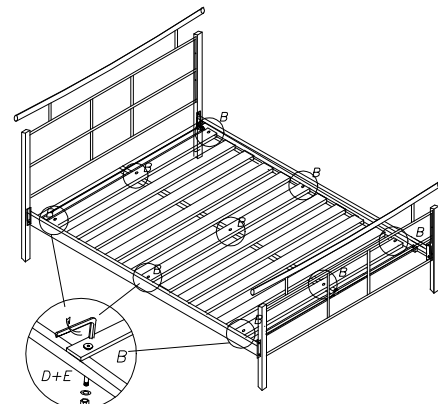
tighten with allen key.(just hand tight before fits in cross rail)  
**STEP 1** Attach side rails to head and foot boards using bolt M8,



**STEP 2** Attach Centre rails & cross rails to side rails with C+D&E



**STEP 3** Align wooden slat to side rail.  
 Tighten 9 points of slat to side rail with B+D&E.



NOTE:DO NOT FULLY TIGHTEN ANY BOLTS UNTILL ALL PARTS ARE ASSEMBLED.

Safety Instructions

This is a two person assembly, be mindful of small parts. When fully assembled please check all fittings have been firmly tightened. Check tightness of bolts regularly, and tighten where neccessary. If you have any missing part please contact us, do not use other components.