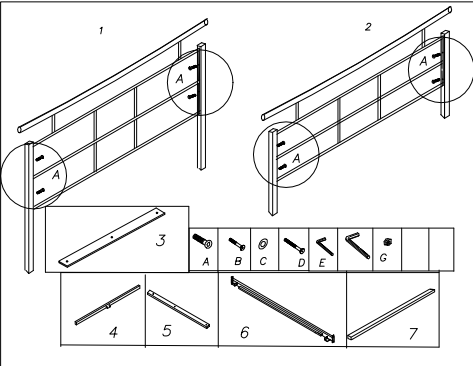


# AI FOR KINGSWAY DOUBLE 4'6" & QUEEN 5'

Universal self support Bed Frame Models

SLAT BED BASE (ASSEMBLY INSTRUCTION & FITTINGS)



## Parts List For Bed

### Carton 1 (Head & Foot board)

1) Headboard 2) Footboard

Hardware bag (see diagram below for details) & sprung bed slat

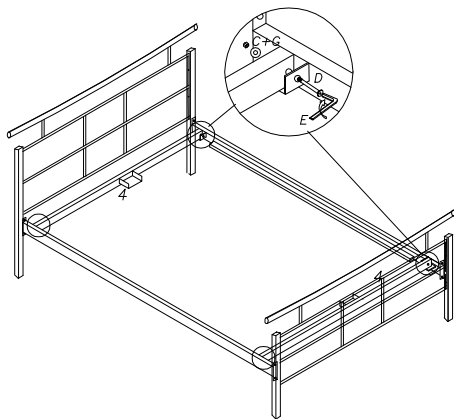
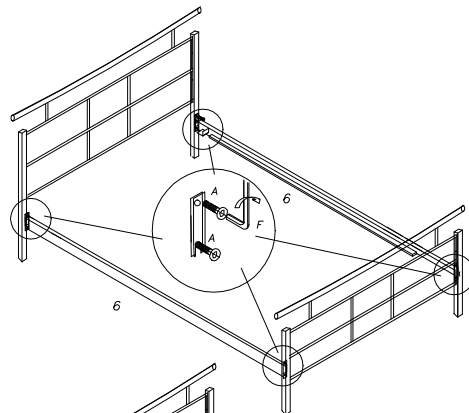
Part no	Description	Qty	Part no	Description	Qty
3	Wooden slat	11/13*	D	M6X40mm	4
A	M8 x 20mm	16	E	M6 Allen key	1
B	M6 x 70mm	4	F	M8 Allen key	1
C	Flat washer	17	G	M6 Hex nut	17
			H	M6 X 50MM	9

\*Double/Queen

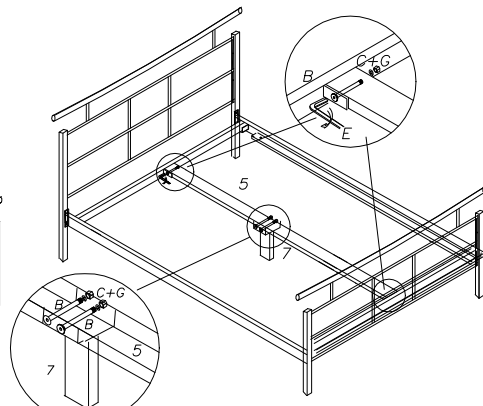
### Carton 2 (Siderails)

Part no	Description	Qty	Part no	Description	Qty
4	Cross rail	2	6	Side rail	2
5	Centre rail	1	7	Support leg	2

STEP 1. Attach Side Rails(6) using Bolt(A) and Hand tighten initially.

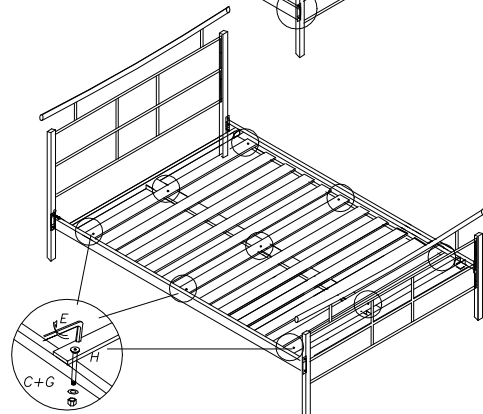


STEP 2. Attach End Cross Rails(4) using Bolts(D) Washer(C) Hex Nut(G)



STEP 3. Attach Centre Rail(5) using Bolts(B) Washer(C) Hex Nut(G)

STEP 4. Attach leg support (7) to centre rail (5) using M6 bolts, washer and hex nut.



STEP 5. Align Wooden Slats(3) and fix to Side Rails with Bolts(H) Washer(C) Hex Nut(G)

STEP 6. All bolts and Fixings should now be tightened and secure. Do not over tighten as This could damage the frame.

**NOTE: DO NOT FULLY TIGHTEN ANY BOLTS UNTILL ALL PARTS ARE ASSEMBLED.**

### Safety Instructions

This is a two person assembly, be mindful of small parts. When fully assembled please check all fittings have been firmly tightened. Check tightness of bolts regularly, and tighten where necessary. If you have any missing part please contact us, do not use other components.