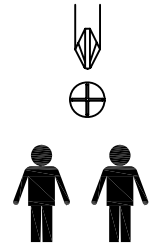
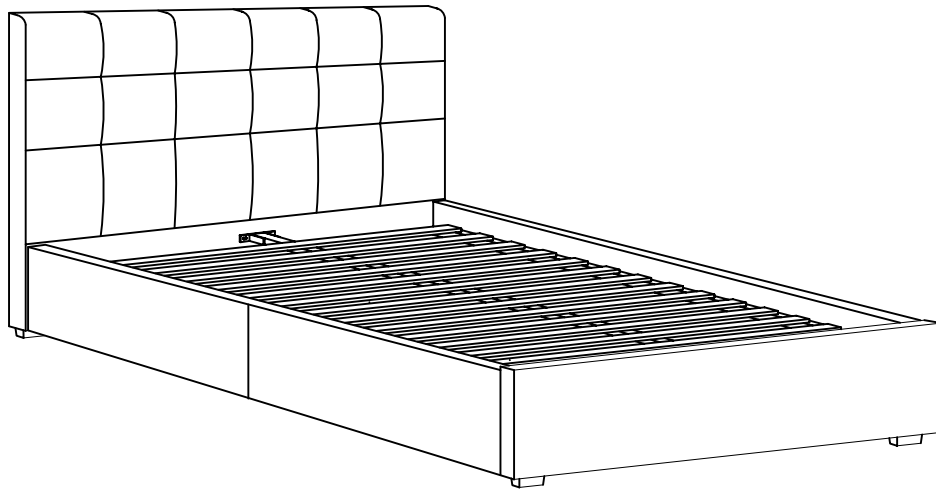


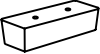


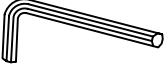
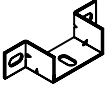
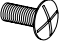




ASSEMBLY INSTRUCTIONS

QB-9308-A

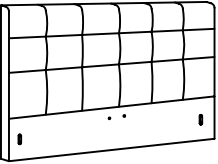
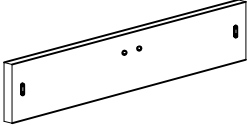
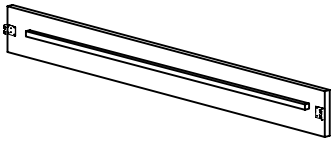


Tools Needed
2 person build



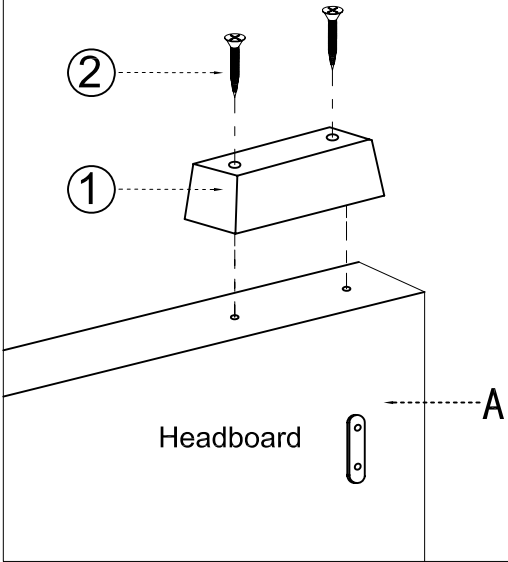
BED FITTINGS

| | | | | |
|---|--|---|---|--|
|  Feet ① X 4 |  Screws(M8*50) ② X 8 |  Gold Bolts (M8*18) ③ X 8 |  Allen Key (M5) ④ X 1 |  Brackets ⑤ X 2 |
|  Bolts (M8*20) ⑥ X 6 |  Washers (M8*19) ⑦ X 8 |  Support legs ⑧ X 2 |  Bolts (M8*40) ⑨ X 2 |  Screws(M8*32) ⑩ X 42 |

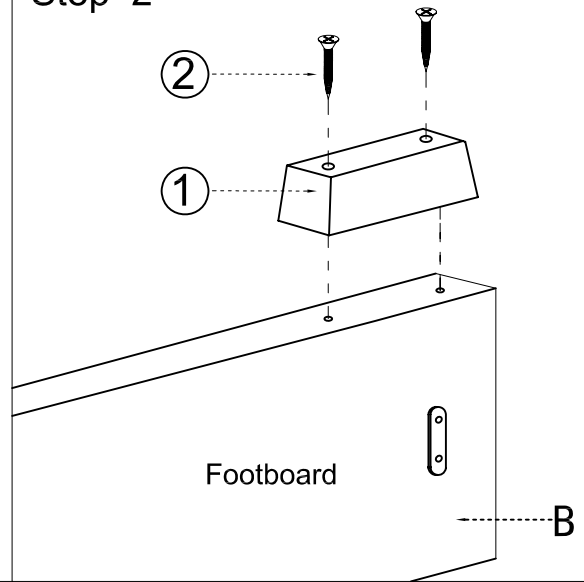
PART LIST

| | | | |
|---|---|---|---|
|  Headboard A X 1 |  Footboard B X 1 |  Side Rails C X 2 |  Center Rail D X 1 |
|  Slats E X 1 | | | |

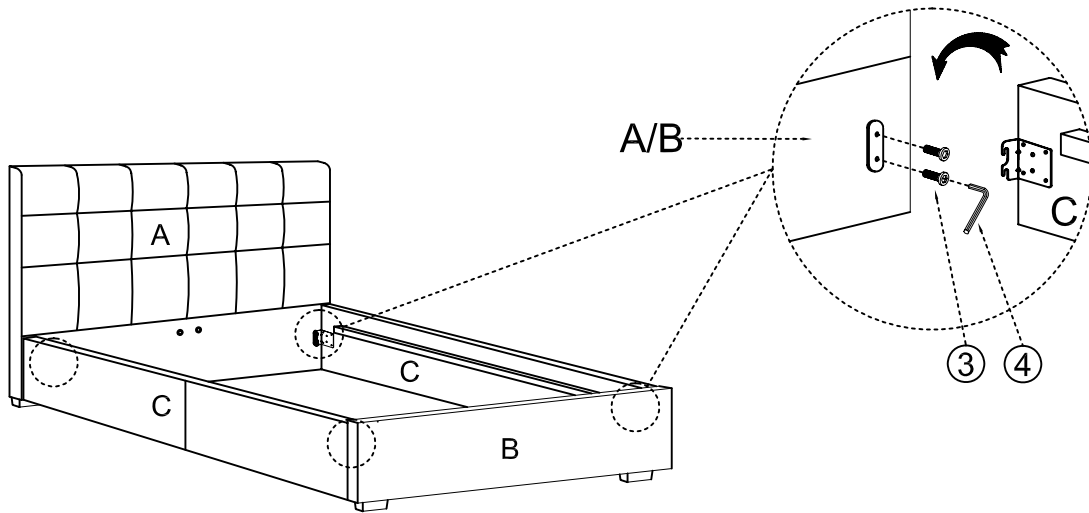
Step 1



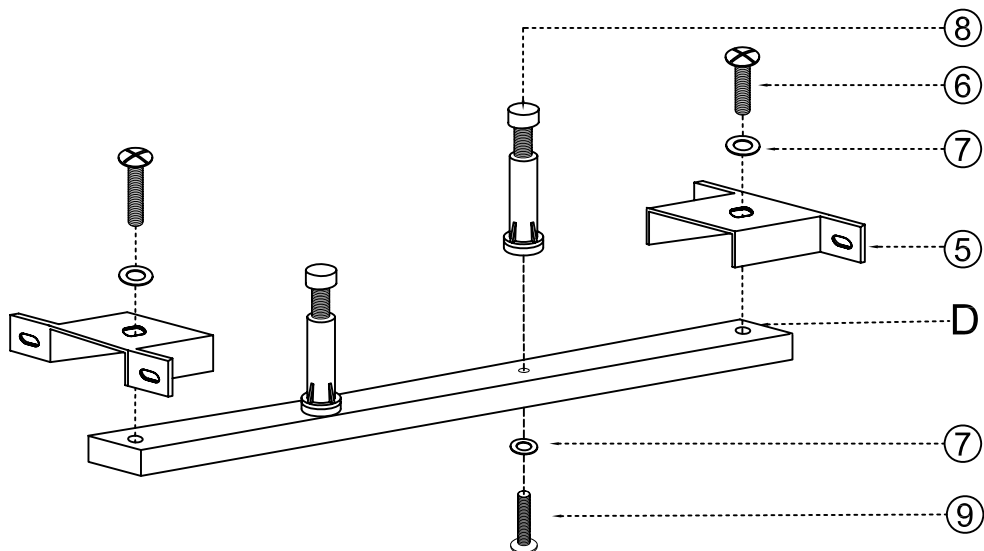
Step 2



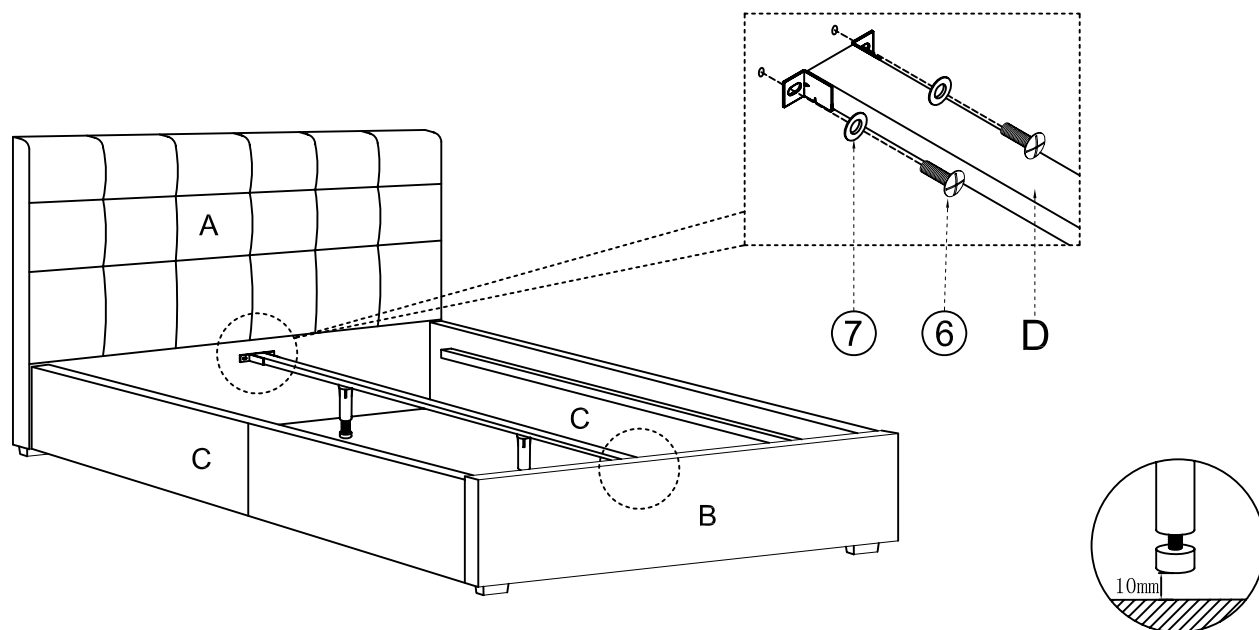
Step 3



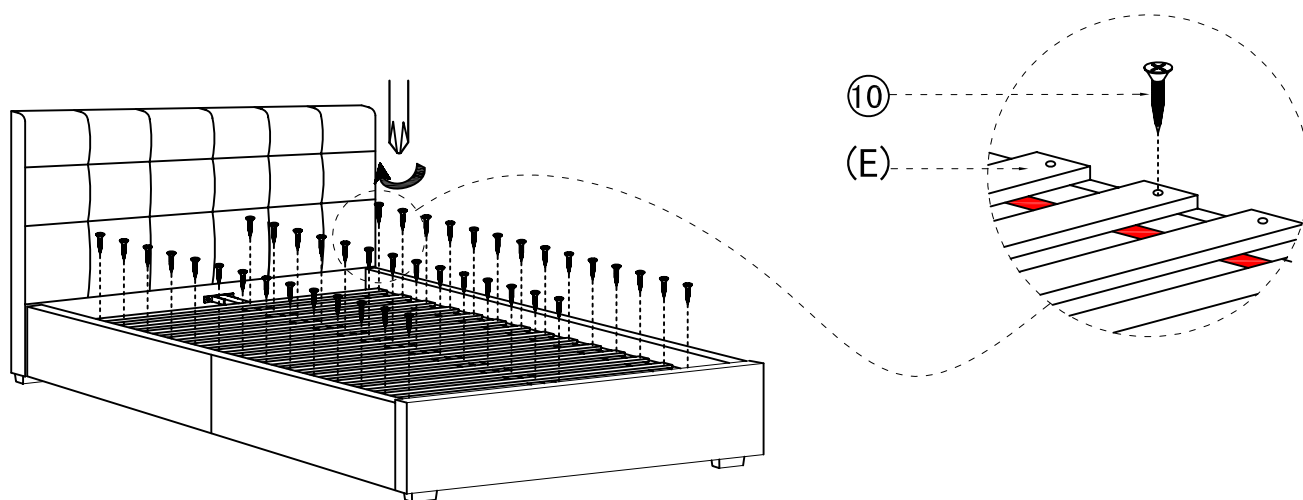
Step 4



Step 5



Step 6



REMARK : ONCE BED IS ASSEMBLED, **DO NOT** SIT, STAND OR APPLY WEIGHT DIRECTLY TO SLATS UNLESS MATTRESS IS IN PLACE.