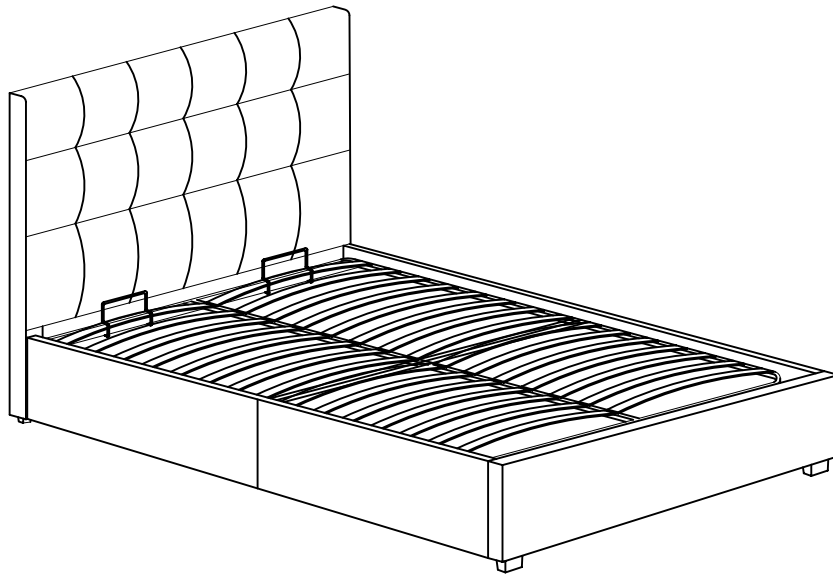
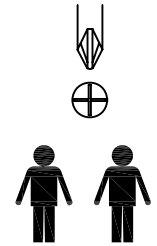


ASSEMBLY INSTRUCTIONS





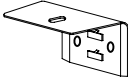

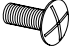

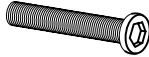
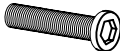




QB-9308-A-OT



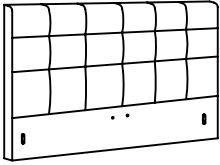
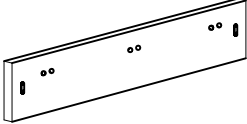
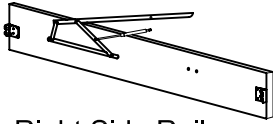

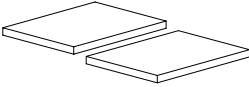
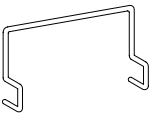

Tools Needed
2 person build



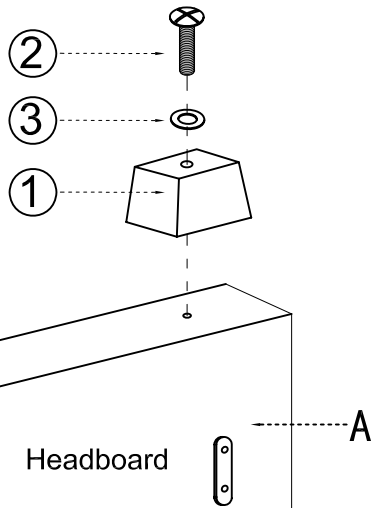
BED FITTINGS

						
Feet	Bolts(M8x35)	Washers (M8*16)	Gold Bolts (M8*18)	Brackets	Felt pads 40x20x3mm	Bolts (M8*20)
① X 4	② X 4	③ X 4	④ X 8	⑤ X 6	⑥ X 6	⑦ X 12
						
Belt	Bolts(M8*80)	Bolts(M8*45)	Nuts(M8)	Washers (M8*19)	Spanner	Allen Key (m5)
⑧ X 1	⑨ X 4	⑩ X 8	⑪ X 12	⑫ X 24	⑬ X 1	⑭ X 2

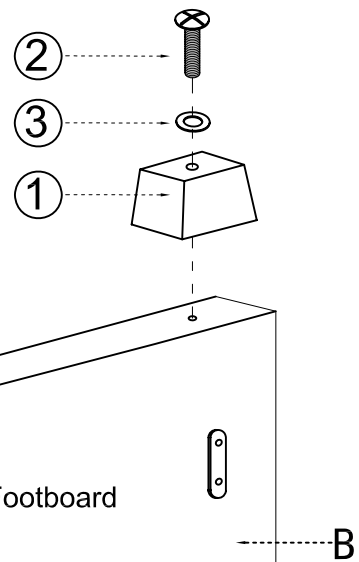
PART LIST

			
Headboard	Footboard	Right Side Rail (Facing bedhead)	Left Side Rail (Facing bedhead)
A X 1	B X 1	C X 1	D X 1
			
Baseboards	Mattress Stopper	Folded Slat Frame	
E X 2	F X 2	G X 2	

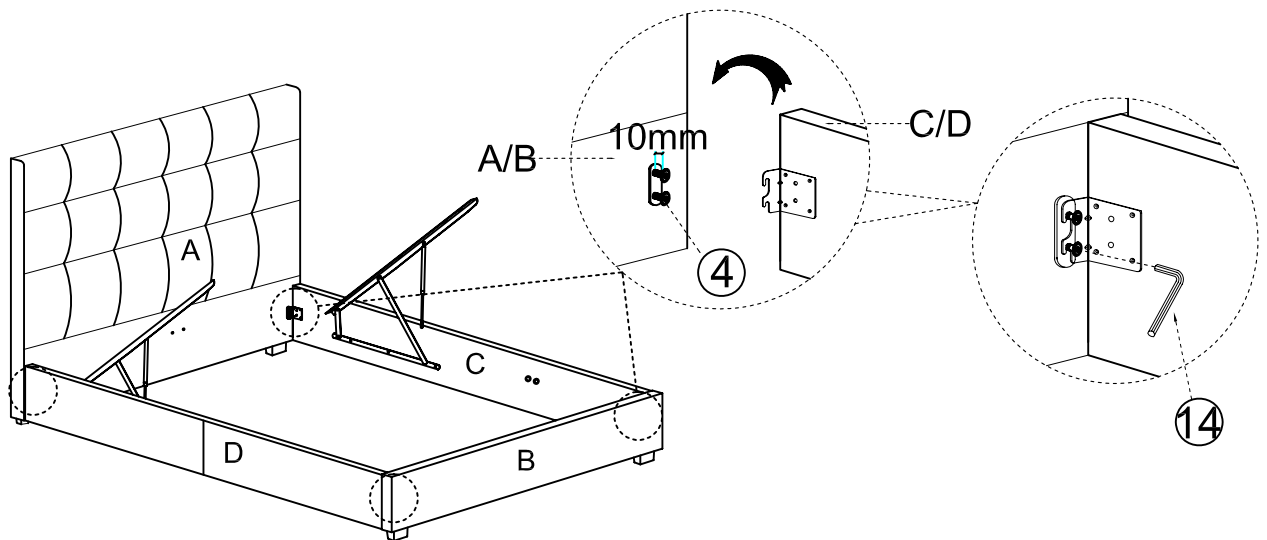
Step 1



Step 2

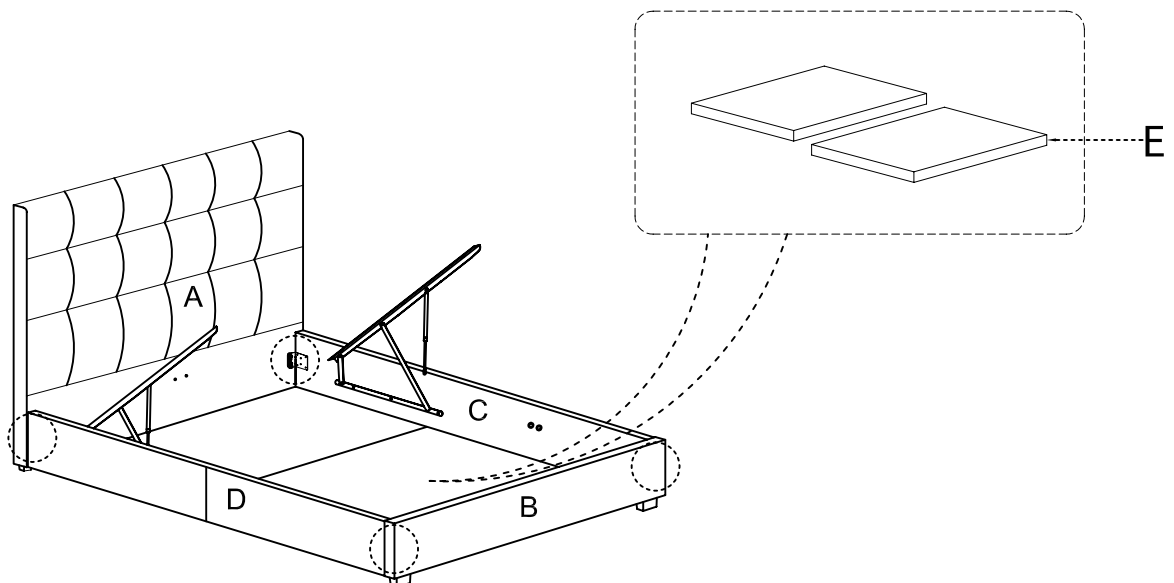


Step 3



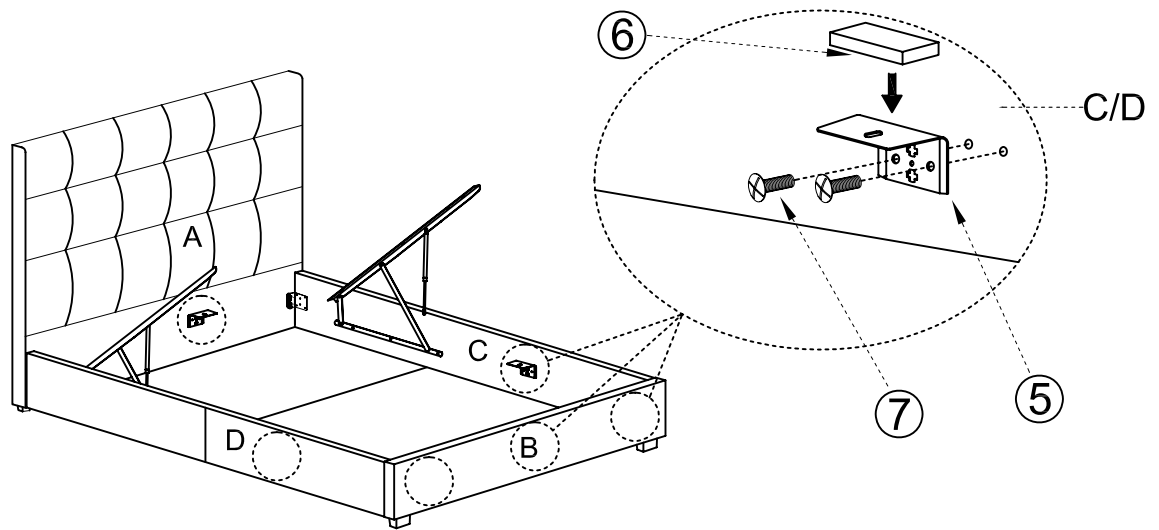
Attach 8 x bolts④ to brackets by using Allen key⑭ as shown, do not tighten the bolts,keep them 8 mm loose. Attach side rails (C,D) to headboard(A) and footboard(B) over the bolts as shown. Do not fully tighten all the bolts until step 4.

Step 4



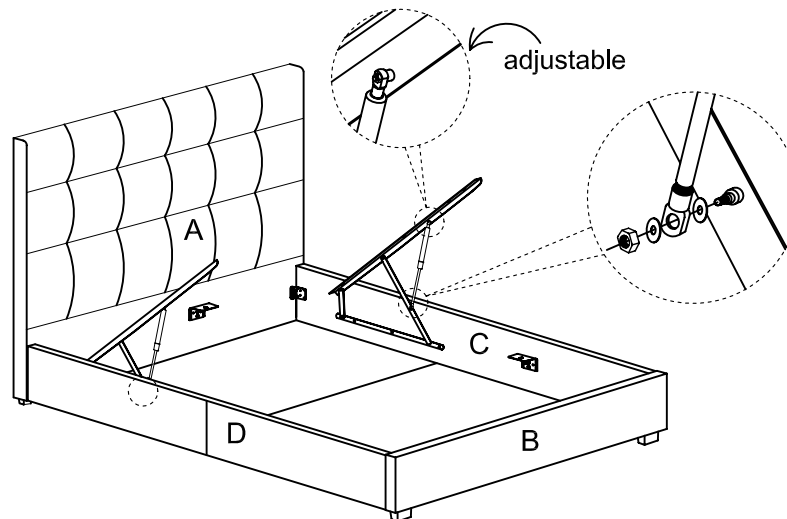
Place 2pcs of the baseboards (E) into the bed as shown .The tighten all the bolts on the corner.

Step 5



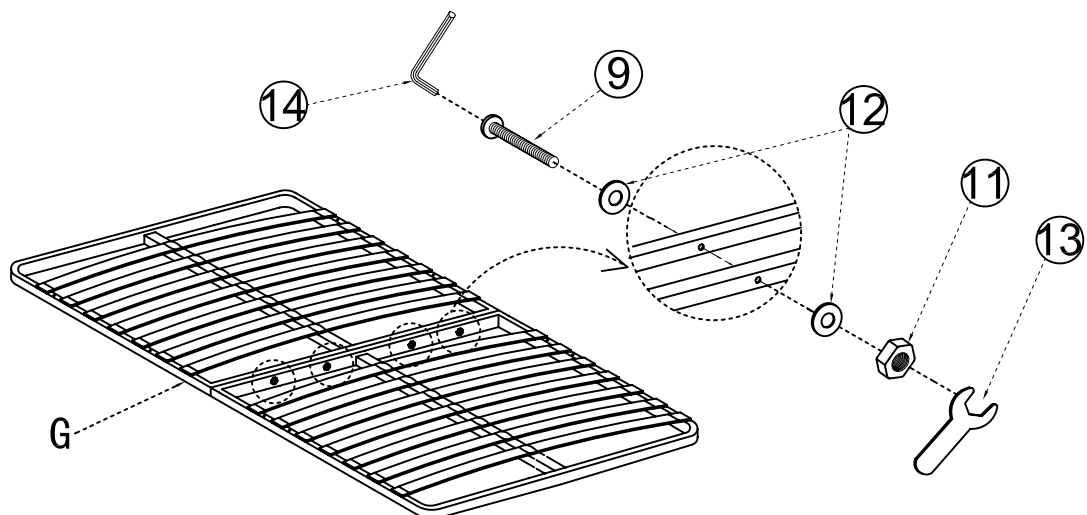
Attach brackets (5) to Side rails and Footboard(C,D) with 12 x bolts (7) by using Spanner (13).
Then stick the felt pads (6) to bracket (5).

Step 6



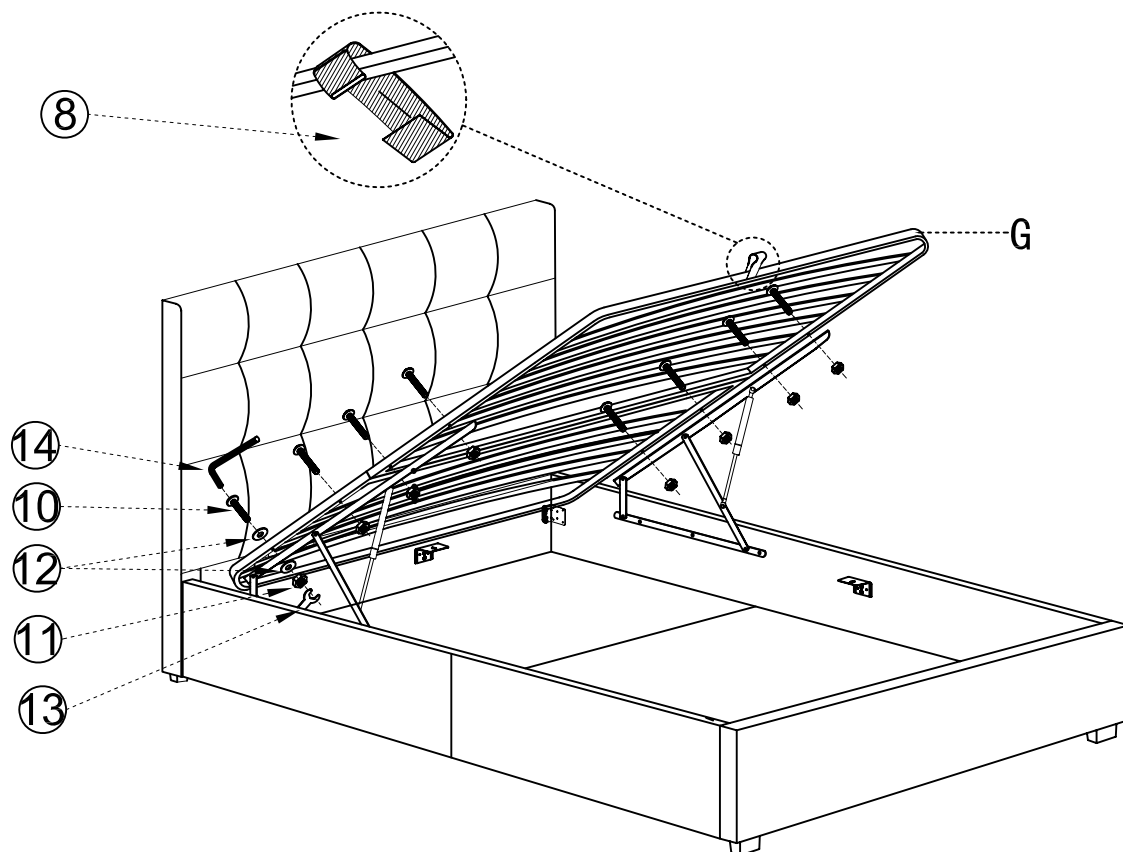
Loosen the nuts and washers on the bottom of rod bracket, attach the gas lift to the bottom of rod bracket using the bolt, then tighten the nuts and washers. The bolt on the top of gas lift is adjustable, if the nuts and washers on the bottom of rod bracket can't be fitted.

Step 7



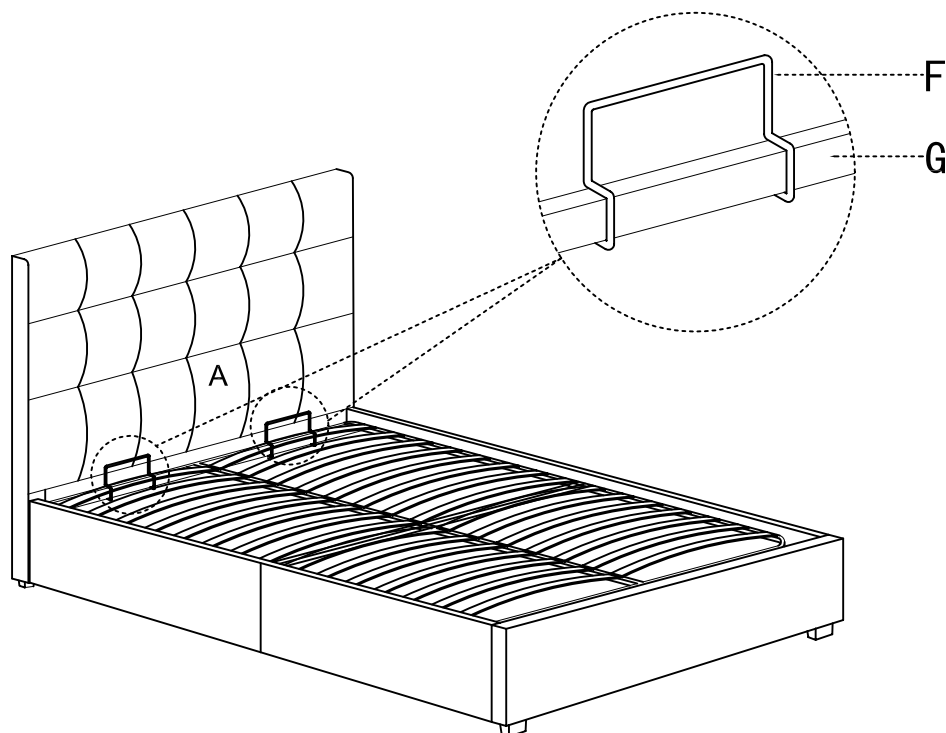
Place the folded slat frame as shown. Attach the two part together with 8 x washers (12), 4 x nuts (11) and 4 x bolts (9) by using Allen key (14) and spanner (13).

Step 8



Attach slat frame (G) to mechanism + piston (C,D) using 8 x bolts ⑩, 8 x nuts ⑪, and 16 x washers ⑫ . tighten the bolts and nuts on slat frame (G) and mechanism +piston (C,D) using an allen key ⑭ and spanner ⑬ . Attach the belt ⑧ to slat frame (G).

Step 9



Secure the mattress stopper (F) to slat frame (G) near headboard (A) .