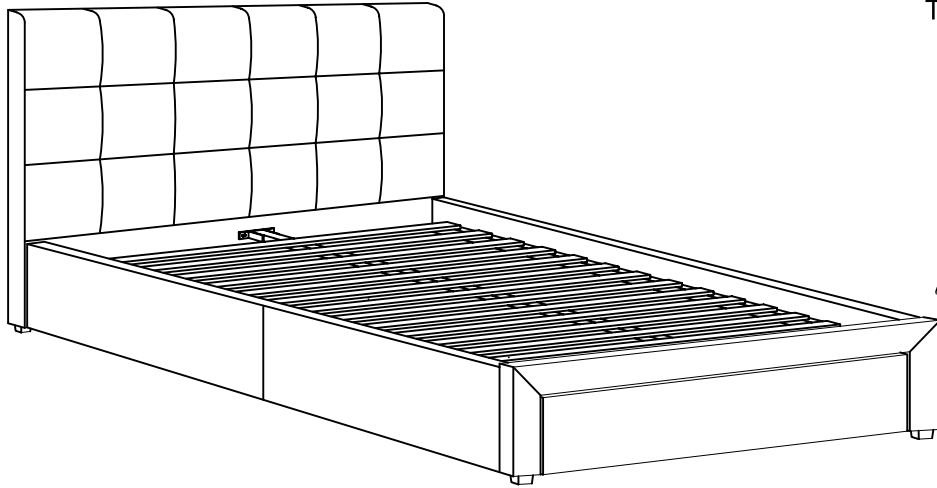
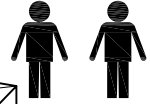


ASSEMBLY INSTRUCTIONS



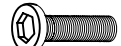
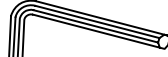
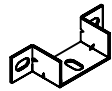


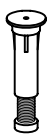
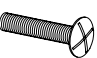





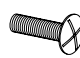

QB-9309-A



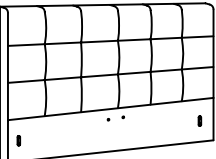
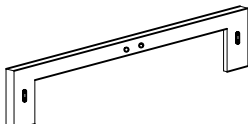
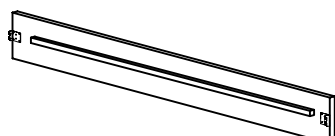

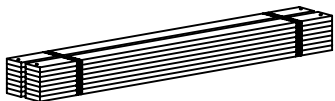
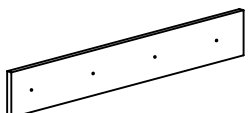
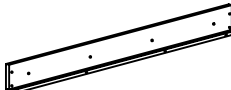





Tools Needed
2 person build



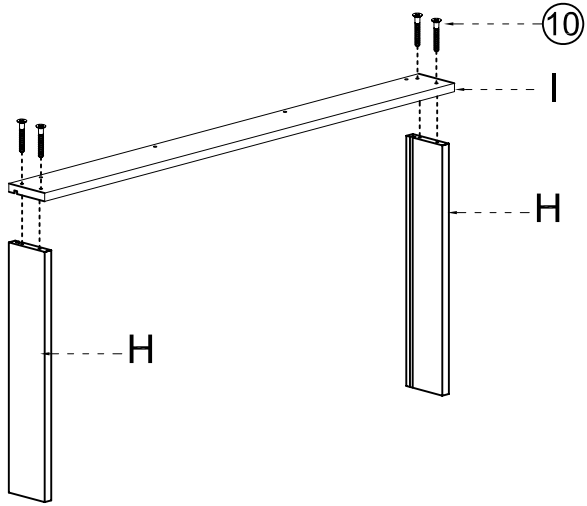
BED FITTINGS

							
Feet	Screws(M8*50)	Gold Bolts (M8*18)	Allen Key (M5)	Bracket	Bolts (M8*20)	Washers (M8*19)	Support legs
① X 4	② X 8	③ X 8	④ X 1	⑤ X 2	⑥ X 6	⑦ X 12	⑧ X 2
							
Bolts (M8*40)	Bolts (M7x38)	Bolts(M6x40)	Nuts	Wheel	Screws(M8*16)	Bolts (M8*30)	Screws(M8*32)
⑨ X 2	⑩ X 8	⑪ X 8	⑫ X 8	⑬ X 4	⑭ X 16	⑮ X 4	⑯ X 42

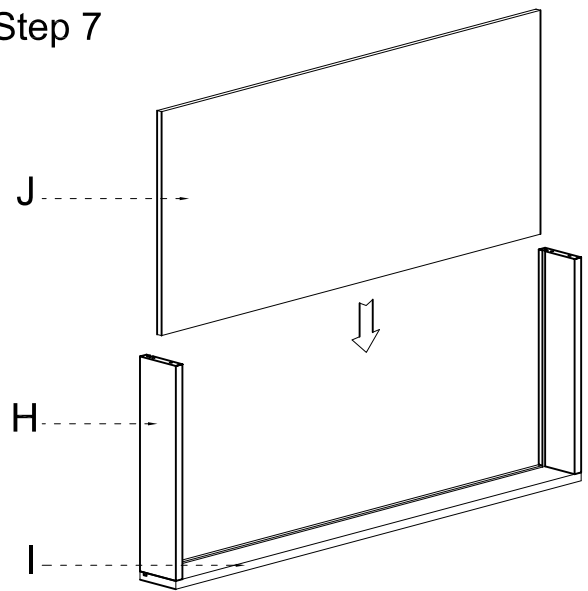
PART LIST

			
Headboard	Footboard	Side Rails	Center Rail
A X 1	B X 1	C X 2	D X 1
			
Slats	Drawer Front	Inner Drawer Front	Drawer Side
E X 1	F X 1	G X 1	H X 2
			
Drawer Back	Drawer Base board	Drawer Supporter	Drawer Supporter
I X 1	J X 1	K X 2	L X 2

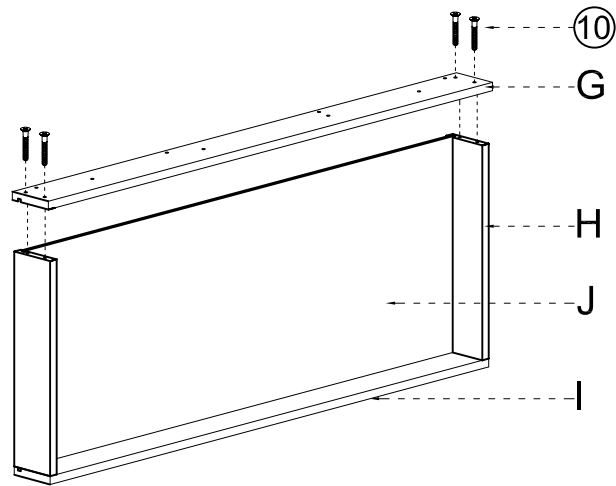
Step 6



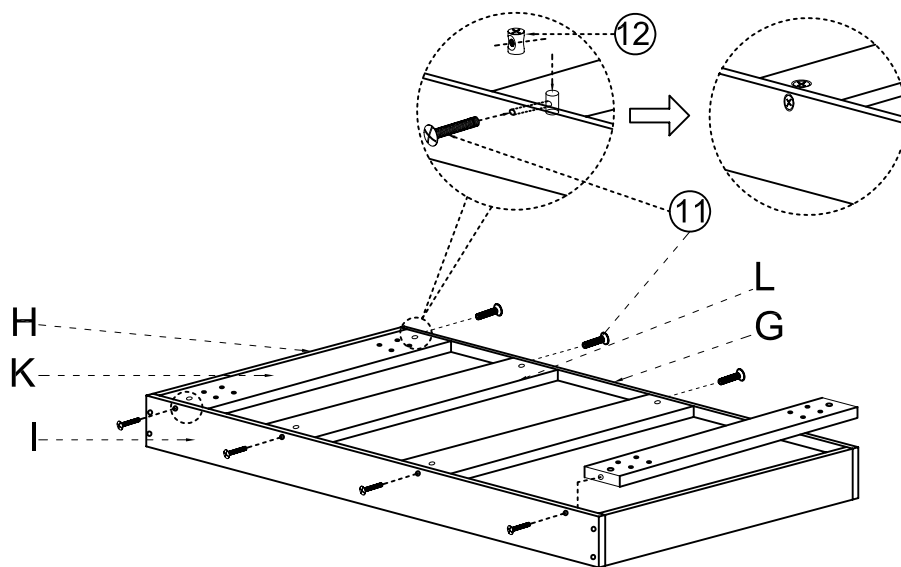
Step 7



Step 8

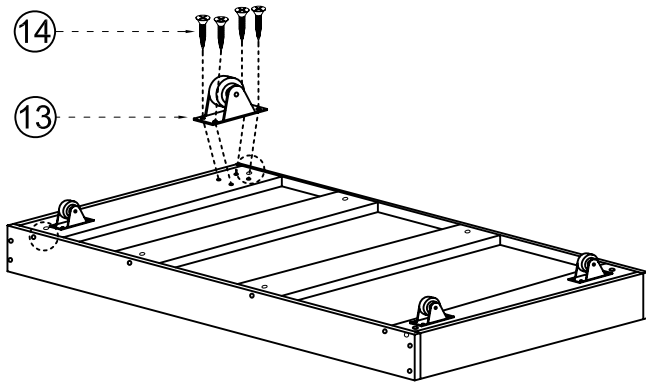


Step 9

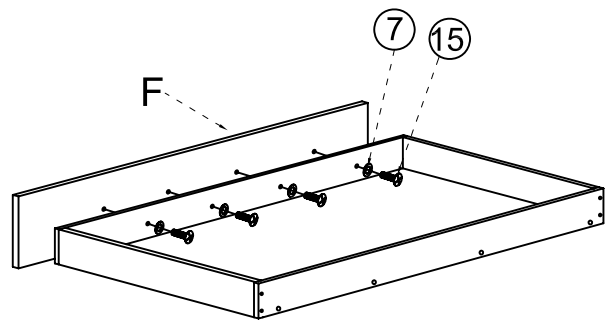


REMARK : ONCE BED IS ASSEMBLED, **DO NOT** SIT, STAND OR APPLY WEIGHT DIRECTLY TO SLATS UNLESS MATTRESS IS IN PLACE.

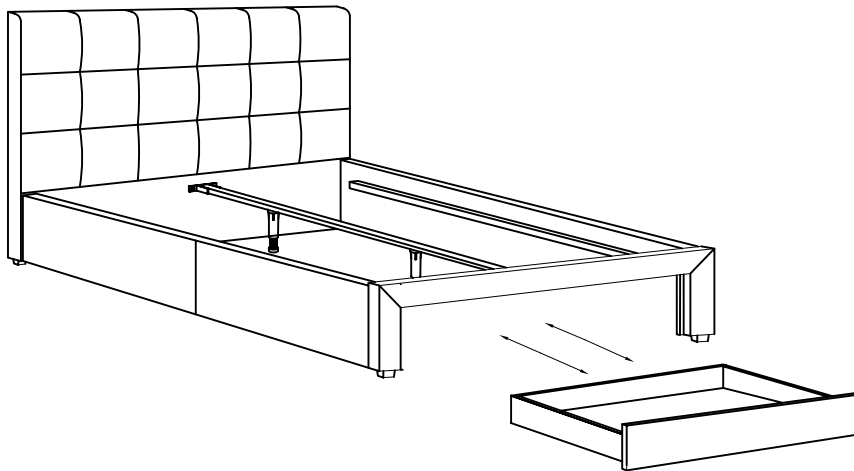
Step 10



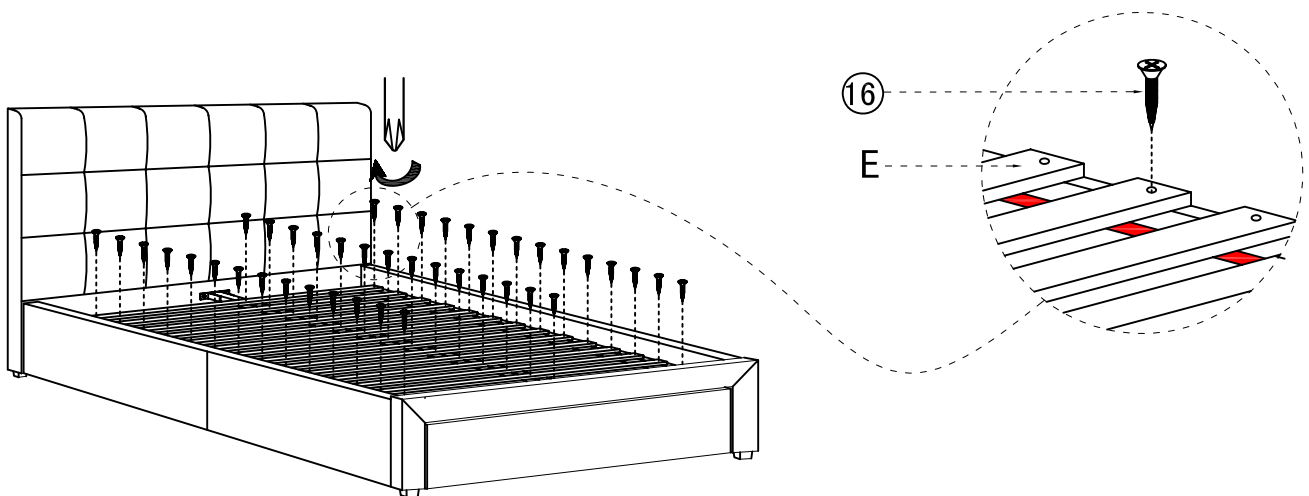
Step 11



Step 12



Step 13



REMARK : ONCE BED IS ASSEMBLED, **DO NOT** SIT, STAND OR APPLY WEIGHT DIRECTLY TO SLATS UNLESS MATTRESS IS IN PLACE.