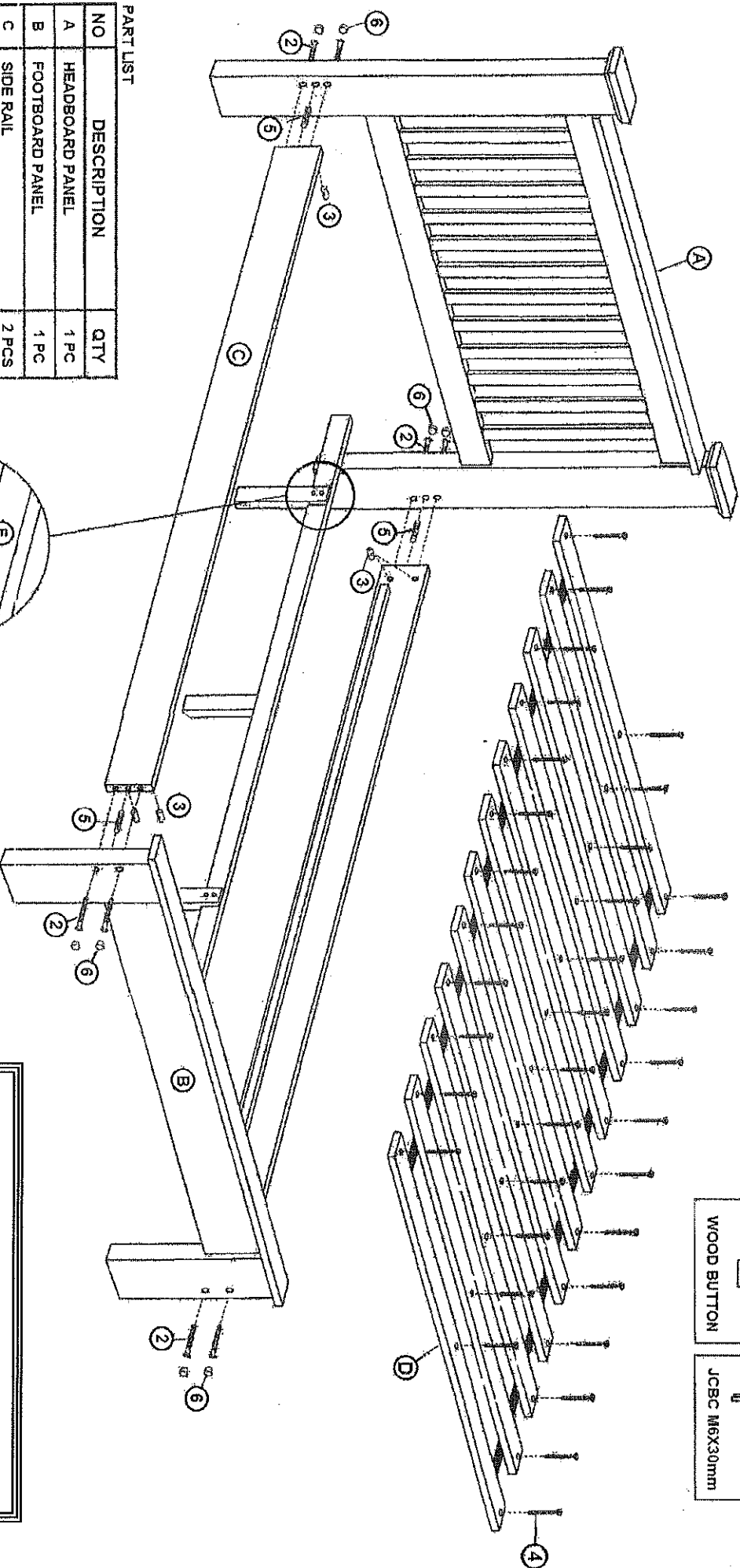
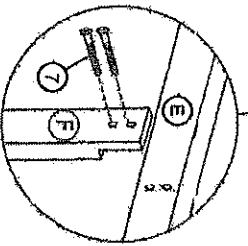


MODEL: DEAN III KING SINGLE BED (12 PCS SLATS) ASSEMBLY INSTRUCTION

NO	DESCRIPTION	QTY
A	HEADBOARD PANEL	1 PC
B	FOOTBOARD PANEL	1 PC
C	SIDE RAIL	2 PCS
D	SLATS	1 SET
E	CENTRE SUPPORT	1 PC
F	CENTRE SUPPORT LEG	3 PCS

PART LIST



HARDWARE LIST

1	1 PC		M4 ALLEN KEY
2	8 PCS		JCB C M6X60mm
3	8 PCS		BARREL NUT M6X15mm
4	36 PCS		CSK SCREW M4X25mm
5	4 PCS		WOOD DOWEL M10X30mm
6	8 PCS		WOOD BUTTON
7	6 PCS		JCB C M6X30mm

When assembling, so not tighten all screws until all sections are assembled. Always remember to assemble furniture on a clean, smooth and carpeted surface.