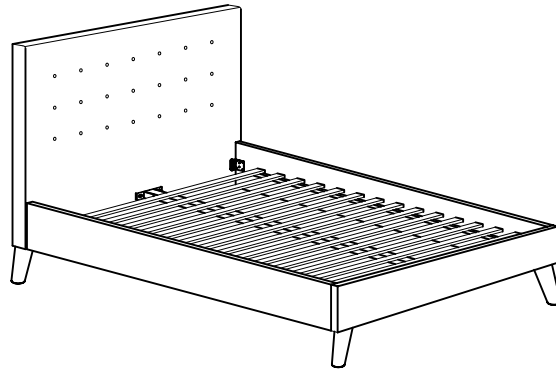
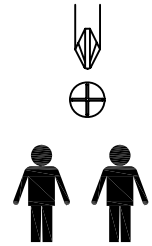


ASSEMBLY INSTRUCTIONS








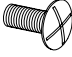
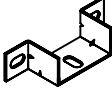
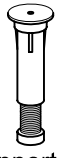


QB-8867-A



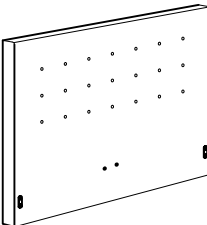
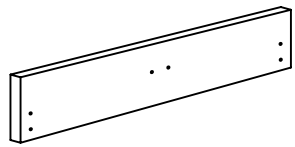

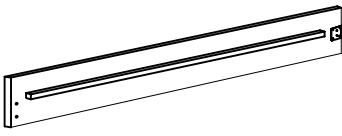


Tools Needed
2 person build



BED FITTINGS

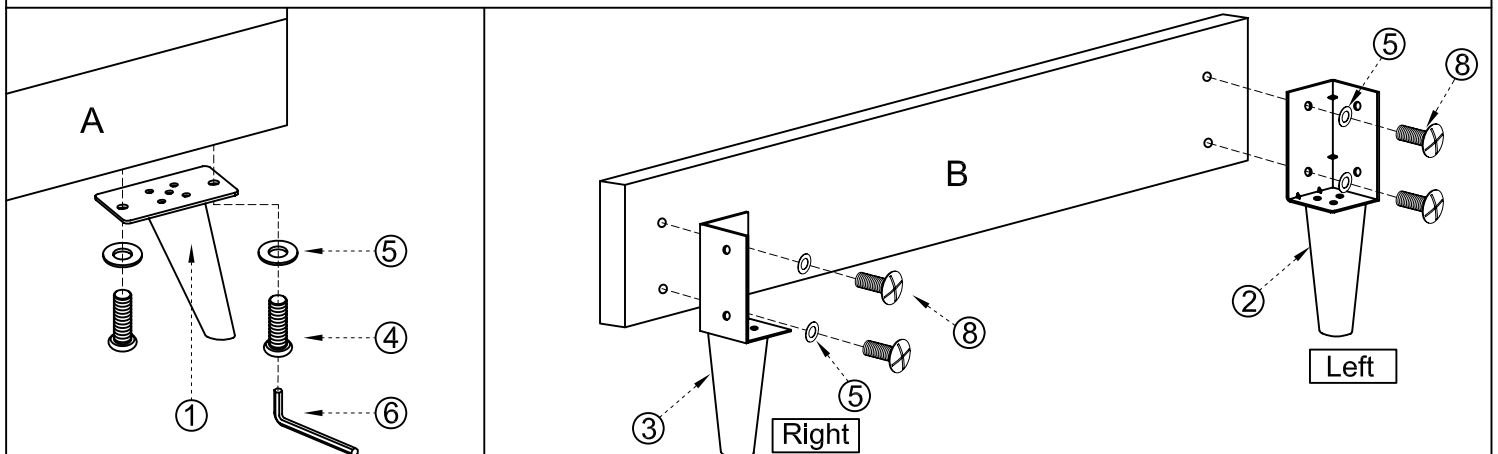
					
Headboard Feet ① X 2	Footboard Feet(R) ② X 1	Footboard Feet(L) ③ X 1	Gold Bolt (m8*30) ④ X 4	Washers (m8) ⑤ X 20	Allen Key (M5) ⑥ X 1
					
Gold Bolts (m8*18) ⑦ X 4	Bolts (m8*20) ⑧ X 14	Brackets ⑨ X 2	Support legs ⑩ X 2	Bolts (m8*40) ⑪ X 2	Screws(m8*32) ⑫ X 42

PART LIST

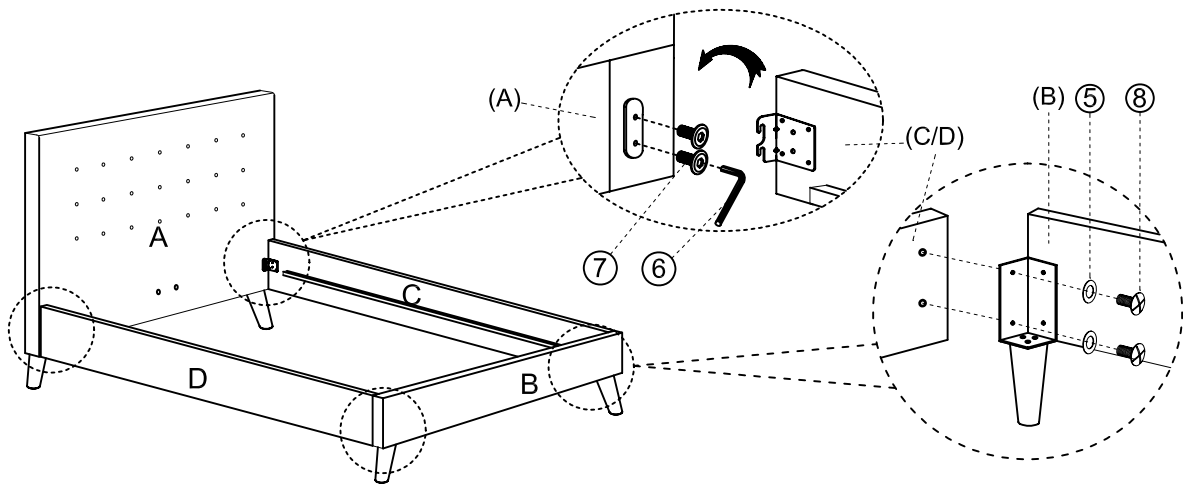
		
Headboard A X 1	Footboard B X 1	Side Rail (R) C X 1
		
Side Rail (L) D X 1	Center Rail E X 1	Slats F X 1

Step 1

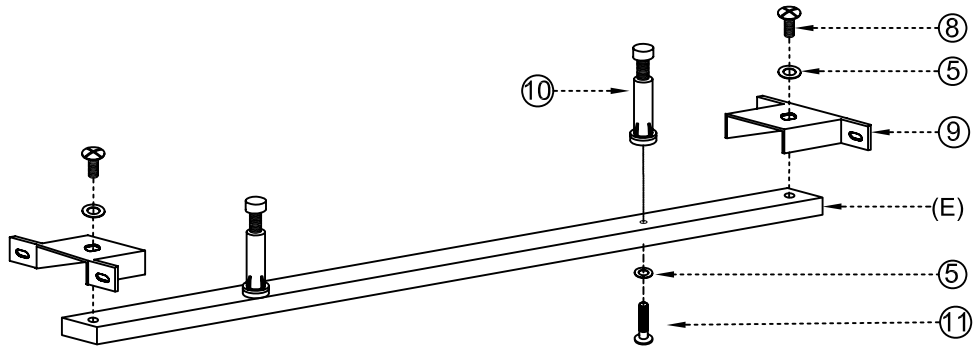
Step 2



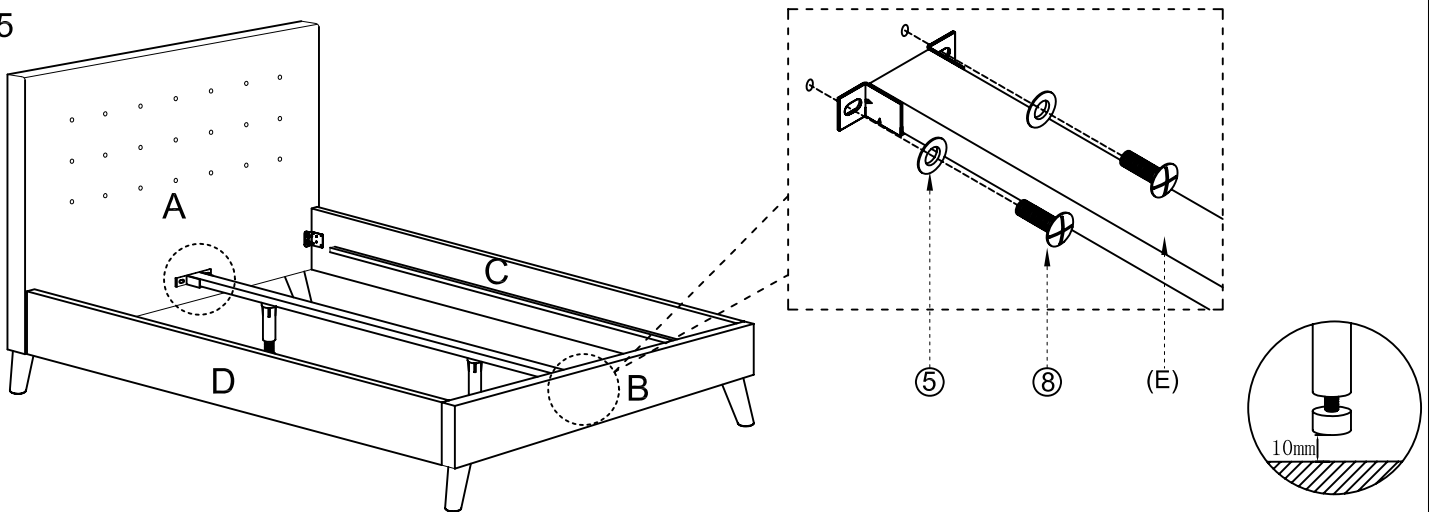
Step 3



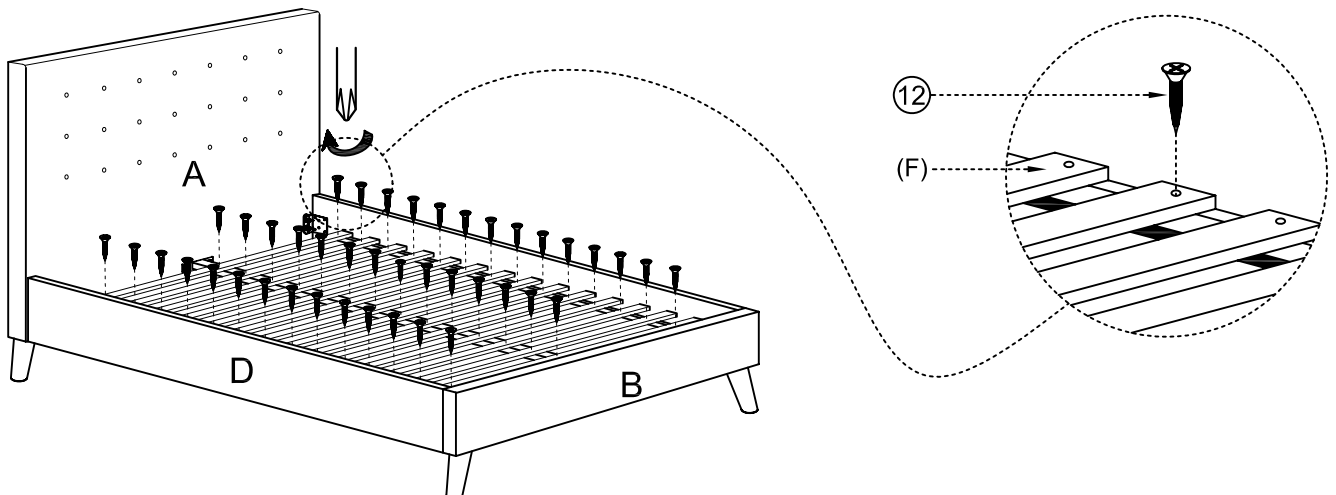
Step 4



Step 5



Step 6



REMARK : ONCE BED IS ASSEMBLED, **DO NOT** SIT, STAND OR APPLY WEIGHT DIRECTLY TO SLATS UNLESS MATTRESS IS IN PLACE.